

Resettable Call Points

Safe, Visible, Easy to Install

STANDARD FEATURES AND SPECIFICATIONS

Model : **SEK-MCP-10-TPDT - BUZ**

TRIPLE POLE WITH FLASHER & BUZZER

- Triple Pole : 3 Independent SPDT Connections
- One Direct Microswitch SPDT Output & Two no.'s Relay operated SPDT Outputs
- Multiple Voltage Input 12-24 vdc
- Inbuilt buzzer & Terminals for External Siren Output
- Default Green Led (Enable -Diable by Jumper)
- Alarm Condition (Red Led and Internal Buzzer on)
- Fully Resettable Emergency Door Release
- Unique Visible Window To Display Door OPEN -CLOSE
- Transparent Protective Flip Cover (Optional)
- Available in Red -Green-White Colours



COLOUR OPTIONS : Green / Red/ White



DIMENSIONS

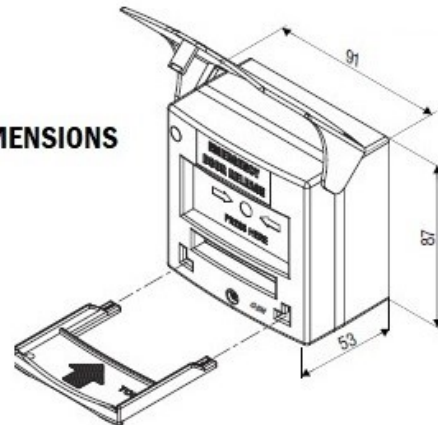


DIAGRAM AND CONNECTION EXAMPLES

