

### SEK-6125 -RECESSED



### PRODUCT OVERVIEW

Larger cover helps prevent malicious or accidental false fire alarms. The SEKURIT Stopper -Omni is a unique device which has helped prevent false fire alarms around the world, without restricting legitimate operation of devices such as fire alarm break glass call points. It is ideal for schools, colleges, hospitals, nursing homes, hotels and all public buildings where there is a history or a threat of false fire alarms.

### HOW IT WORKS

The SEKURIT Stopper Omni consists of a clear, tamperproof, tough polycarbonate cover and frame that retrofits over the break glass call point. When lifted to gain access to the break glass, its optional battery powered integral sounder emits a piercing 95 dB or 105 dB (at 1 metre). Immediate attention is drawn to the area and the prankster will either run or be caught.

#### General Information

- Larger cover helps prevent malicious or accidental false fire alarms.
- Three year guarantee against breakage of polycarbonate in normal use (one year on electromechanical and electronic components).

#### Design

- Prevents false fire alarms without hindering legitimate operation of a manual call point in the event of an emergency.

#### Construction

- Tough polycarbonate housing can withstand the severest of knocks.

#### Installation

- A simple 4 fixing installation can retrofit over existing device.
- Can accommodate flush or surface mounted applications.
- Typical working properties of polycarbonate are -40°C to 121°C (-40° to 250°F)

#### Options

- Available with or without a 95 dB integral sounder, powered by a 9V PP3 battery (included).
- Optional 12-24 VDC powered units.
- Custom labelling available.

• The indoor/outdoor rated station covers, when mounted on a smooth surface, provide a rain tight seal (**OPTIONAL GASKETS SET**)

# Stopper -OMNI SERIES

Dimensions and Technical Information

## MODELS AVAILABLE

- SEK-6125** Stopper-omni flush mount
- SEK-6135** Stopper -OMNI surface mount (50mm spacer)
- SEK-6125-A** Stopper OMNI flush mount with integral sounder
- SEK-6135 - A** Stopper OMNI surface mount (50mm spacer) with integral sounder

### Text Options:

**Standard Text:** IN CASE OF FIRE - LIFT COVER / ACTIVATE FIRE ALARM Add

**-BREAK for:** IN CASE OF FIRE - LIFT COVER / BREAK GLASS

**Add -PULL for:** IN CASE OF FIRE - LIFT COVER / PULL FIRE ALARM

### OPTIONAL WEATHER PROOF Accessories:

SEK-REC-GASKET -FOAM for SEK-6125

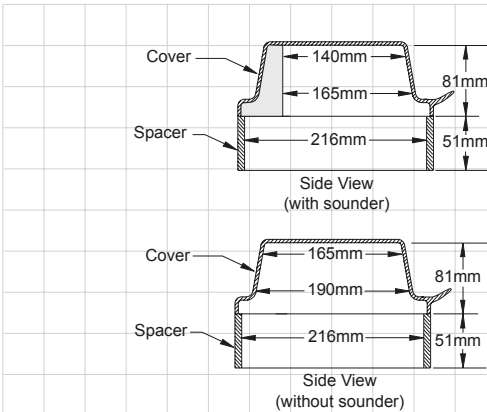
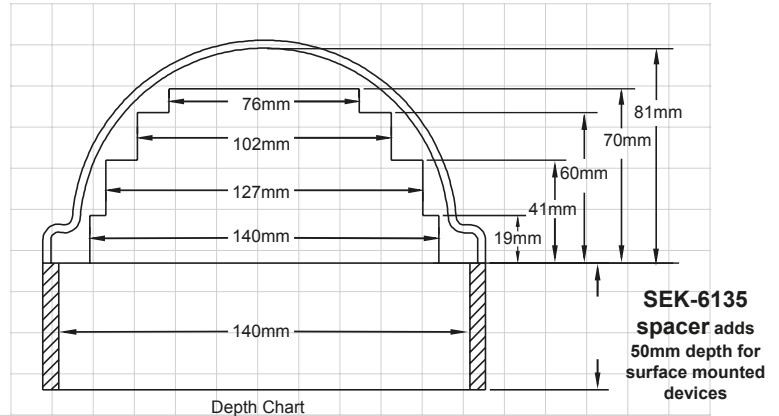
SEK-REC-GASKET -SILICON/ RUBBER for SEK-6125

SEK-SF-GASKET -FOAM FOR SEK-6135

**SEK-SF-GASKETS -SILICON/ RUBBER FOR SEK-6135  
( SET OF 6 GASKETS )**



### DIMENSIONS : SEK-6125-RECESSED Flush 7.2 W x 10.2 H x 3.3 D in. (183x259x84mm)



### SEK-6135 WITH BACK SPACER

