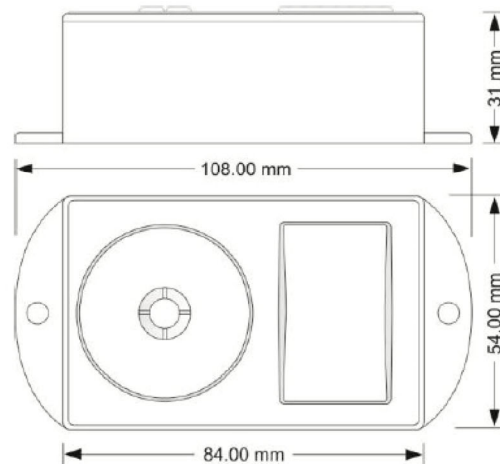


SPECIFICATION OF SIREN WITH FLASHER SEK-135-F



BLACK OR WHITE COLOUR OPTIONS



- Product : Siren With Flasher (Micro Controller Based)
- Model Number :
- Tone : Beep/Siren Tone
- Operating Voltage : 12Volt DC
- Current : 50 mA (at 12V DC)
- Sound level : 100 dB at 1 Meter Distance (at 12V DC)
- Continuous Operation : 60 minutes
- Operating Temperature : 0° C to +60° C
- Material of Housing : ABS 300
- Color : Black
- Dimension : 108mm x 54mm x 31mm x 84mm
- Weight : 120 gm (Approx. with packing)
- Frequency : 2500Hz (Beep Tone@1Hz)
- Warranty : One year against any manufacturing defect