

Emergency On-Off Key-Switch (Tabular Style) in SS -304 Plate

Model No. : Sek-300-Keyswitch

Same Keycode or All Different Keycodes Available on Request



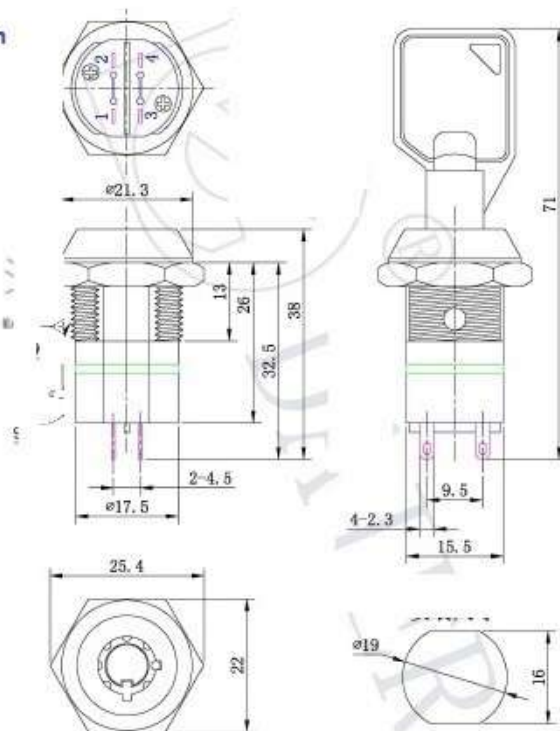
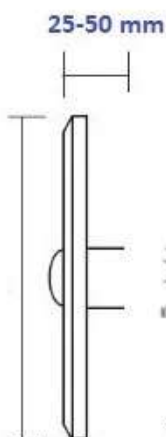
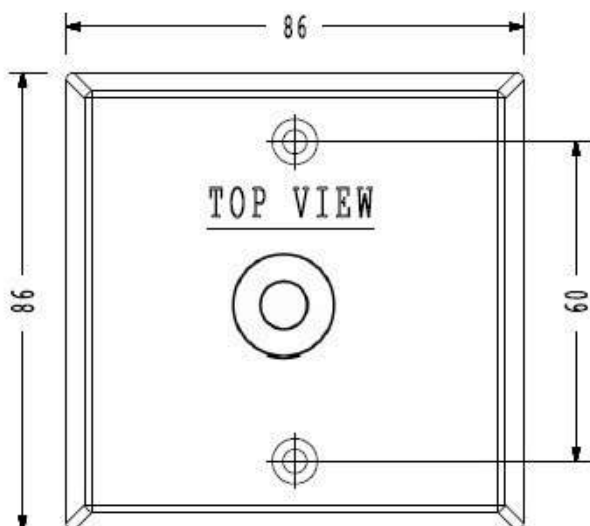
Wide Options & Variations Available : Momentary, On-Off, SPDT, DPDT, Inbuilt Timer Relay, With Tamper Output, Inbuilt DMS (Door Monitoring)

SWITCH AND LOCK FUNCTION:

SINGLE POLE SWITCHES						
MODEL NO.	NO. POLES	Connected Terminals		Key Pull Positions	Lock Configuration	Indexing
		POS. 1	POS. 2			
S-19-03-102	Single Pole	1-2	3-4	Positions 1&2		90°



Drawing and Connection Terminals



Electrical & Mechanical Properties

No.	Items	Technical conditions	Technical requirements
5.1.	Rating load	125V AC 250V AC 28V DC	4A 2A 4A
5.2	Withstand Voltage	AC 1000V(50 Hz) 1mm 2mA	No abnormality, no breakdown, no over arc.
5.3	Contact resistance	All terminals will be test but not include Socket ground pin and switch part.	≤20mΩ
5.4	Insulation resistance	Test voltage: 500V DC 1min ± 5%, 500V DC 1 ± 5% Test position: Between all terminals between terminals and base	≥100MΩ 500V DC
5.5	Mechanical life	Inserting and extracting 10000times min.	

Options



Keyswitch available in Different Sizes

* Pics shown above might change little from actual Product



INDUSTRIAL QUALITY & STRONG : Emergency Keyswitches

SS-304 PLATE

NARROW-SLIMLINE AND MEDIUM SIZE KEYSWITCHES



SEK-200-KEYSWITCH



SEK-700-KEYSWITCH



SEK-100-KEYSWITCH

Same Keycode or All Different Keycodes Available on Request

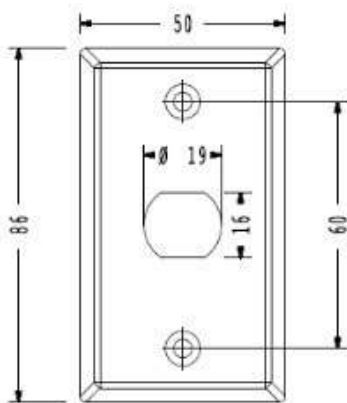
Specification

- Standard Structure: Steel Button
- Current Rating: 3A@36VDC Max
- Output Contact: NO/NC/COM
- Mechanical Life: 500000 tested

Wide Options & Variations Available : Momentary , On-Off , SPDT , DPDT , Inbuilt Timer Relay , With Tamper Output, Inbuilt DMS (Door Monitoring)

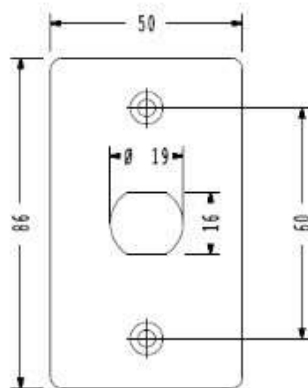
- Actual Product might look Slightly different from Photos shown above

Wiring Diagram



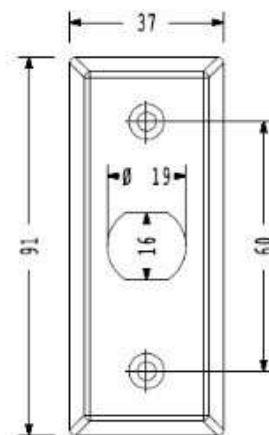
TOP VIEW

SEK-200-KEYSWITCH



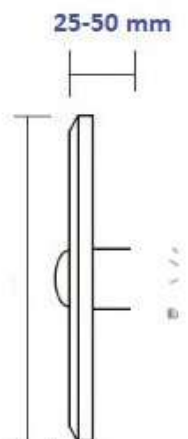
TOP VIEW

SEK-700-KEYSWITCH



TOP VIEW

SEK-100-KEYSWITCH



Emergency On-Off Key-Switch in SS -304 Plate

DPDT Double Pole

Model No. : Sek-300-KY-DPDT-A

Model No. : Sek-300-KY-DPDT-B



Double Pole Contacts

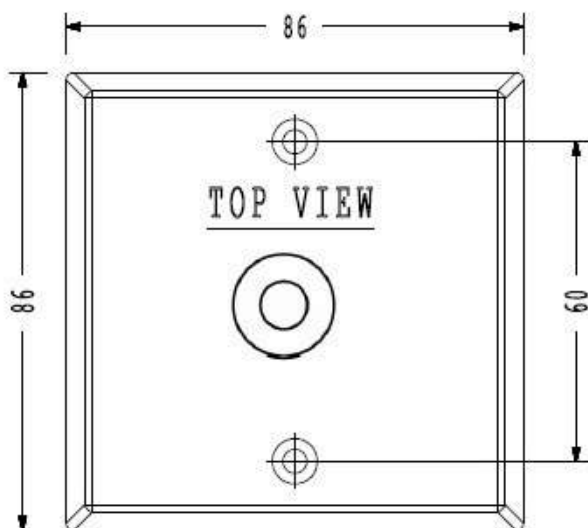
(Plz Choose A or B as per your Requirements)

- a) NO + C & NO + C
- b) NO + C & NC + C

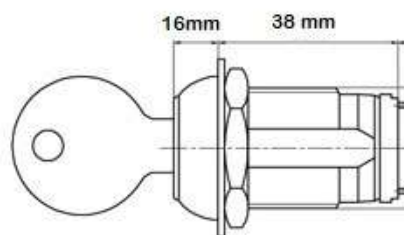
Wide Options & Variations Available : Momentary , On-Off , SPDT , DPDT , Inbuilt Timer Relay , With Tamper Output, Inbuilt DMS (Door Monitoring)

Double Pole Contacts

MODEL NO.	NO. POLES	Connected Terminals		Key Pull Positions	Lock Configuration	Indexing
		POS. 1	POS. 2			
S-19-03-102	DOUBLE	1-2	3-4	Positions 1&2		90°



Drawing and Connection Terminals



Electrical & Mechanical Properties

No.	Items	Technical conditions	Technical requirements
5.1.	Rating load	125V AC 250V AC 28V DC	4A 2A 4A
5.2	Withstand Voltage	AC 1000V(50 Hz) 1min 2mA	No abnormality, no breakdown,no over arc.
5.3	Contact resistance	All terminals will be test but not include Socket ground pin and switch part.	≤20mΩ
5.4	Insulation resistance	Test voltage:500V DC 1min ± 5s, 500V DC 1 ± 5 Test position: Between all terminals between terminals and base	≥100MΩ 500V DC
5.5	Mechanical life	Inserting and extracting 10000times min.	

* Pics shown above might change little from actual Product



INDUSTRIAL QUALITY & STRONG : Emergency Keyswitches

SS-304 PLATE

with TAMPER OUTPUT AND LED

Same Keycode or All Different Keycodes Available on Request for Tabular Style Keys



Sek-600-Key-Led-Tamper



Sek-300-Key-Led-Tamper



Sek-300-Key-Tamper

Wide Options & Variations Available : Momentary, On-Off, SPDT, DPDT, Inbuilt Timer Relay, With Tamper Output, Inbuilt DMS (Door Monitoring)

Tabular Style Key

Standard Key



Key Options

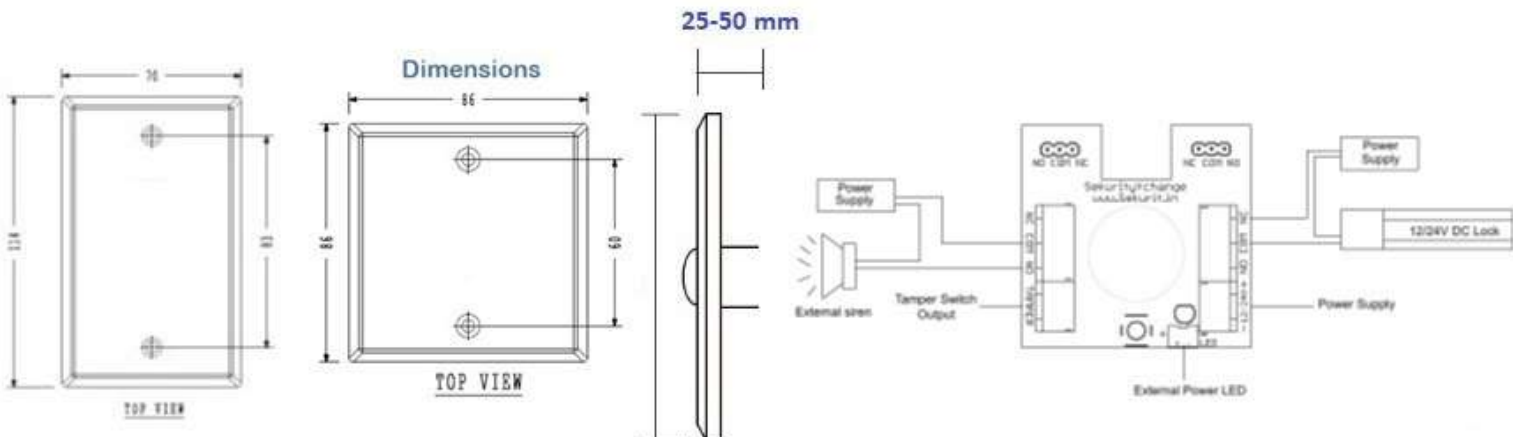
Specification

- Size: 114 mm by 70 mm
- Standard Structure: Steel Button
- Current Rating: 3A@36VDC Max
- Output Contact: NO/NC/COM
- Mechanical Life: 500000 tested



- Actual Product might look Slightly different from Photos shown above

Wiring Diagram





INDUSTRIAL QUALITY & STRONG : Emergency Keyswitches

SS-304 PLATE

**Dimensions : American Size
ANSI Standard**

**Same Keycode or All Different Keycodes
Available on Request for Tabular Style Keys**



Sek-600-Key-SPDT-On-Off



Sek-600-Key-On-Off
Led-Tamper Output
Tabular Style Key

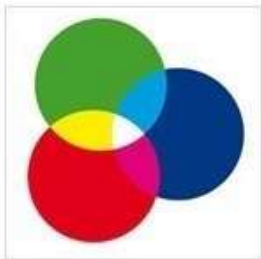


Sek-600-Mushroom-Key-On-Off



Sek-600-Mushroom- Key-
Press to Rotate Push

Push Button Colours



**Wide Options & Variations Available : Momentary ,
On-Off , SPDT , DPDT , Inbuilt Timer Relay , With
Tamper Output, Inbuilt DMS (Door Monitoring)**

Key Options

Tabular Style Key

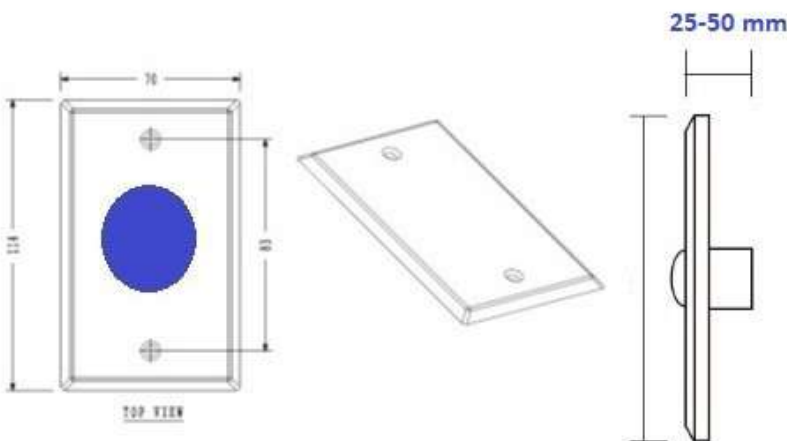
Standard Key



Specification

- Size: 114 mm by 70 mm
- Standard Structure: Steel Button
- Current Rating: 3A@36VDC Max
- Output Contact: NO/NC/COM
- Mechanical Life: 500000 tested
- Suitable for Door: Hollow Door
- Operating temp: 10~+55°C(14-131F)
- Operating Humidity: 0-95%(relative humidity)
- Weight: 0.23kg
- Actual Product might look Slightly different from Photos shown above

Wiring Diagram



Electrical & Mechanical Properties

No.	Item	Technical conditions	Technical requirements
5.1	Rating load	125V AC 250V AC 28V DC	4A 2A 4A
5.2	Withstand Voltage	AC 1000V(50 Hz) 1min 2mA	No abnormality, no breakdown over etc.
5.3	Contact resistance	All terminals will be test but not include Socket ground pin and switch part	≤20mΩ
5.4	Insulation resistance	Test voltage 500V DC 1min ± 5s. 500V DC 1 ± 5 Test position Between all terminals between terminals and base	≥100MΩ 500V DC
5.5	Mechanical life	Inserting and extracting 10000times min.	

LOCAL SCARE ALARM operated by KeySwitch in Compact Size

Door Monitoring System



Sek-600-LSA



Sek-300-LSA



Sek-600-LSA-Buzz

Back-Side View of Circuit



Recessed Mounting or Surface Wall Mounting in Plastic or Metal Standard Gang Box 3 by 3 Inch (optional)

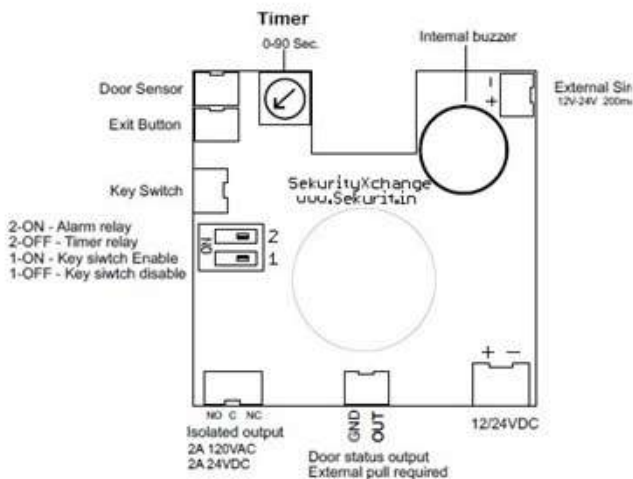
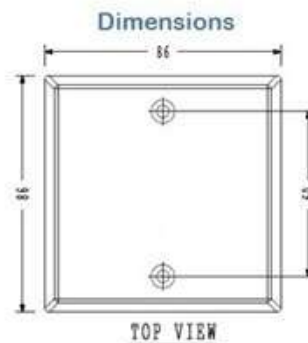
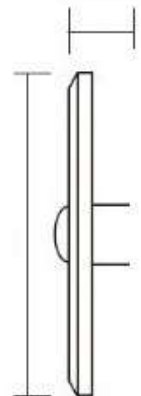
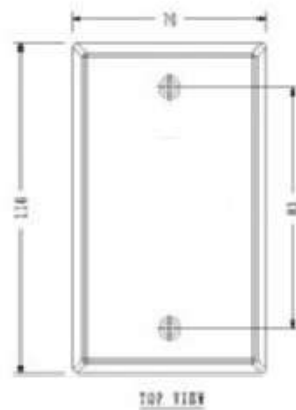
PCB Version LSA-PCB Also Available for Sale

(Very Small Size of 46 by 45 mm to fit behind Reader / other Junction Box)

Standard Features & Specifications

- Automatic Voltage Input 12-24 vdc
- Connect to External Magnetic Door Sensor for Monitoring
- Inbuilt buzzer
- LSA is armed by Keyswitch . Once Alarm is activated by door opening , it can be only silenced or disarmed by authorised person with Keyswitch only
- Can connect to External Loud Siren (optional)
- Isolated Relay Alarm Feedback Output

25-50 mm



* Pics shown above might change little from actual Product

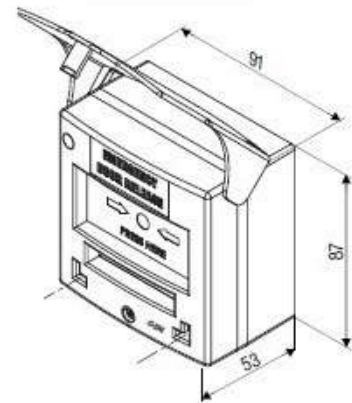
Emergency On-Off Key-Switch

Model No. : SEK-MCP-Keyswitch-SPDT

Model No. : SEK-MCP-Keyswitch-DPDT (DOUBLE POLE)



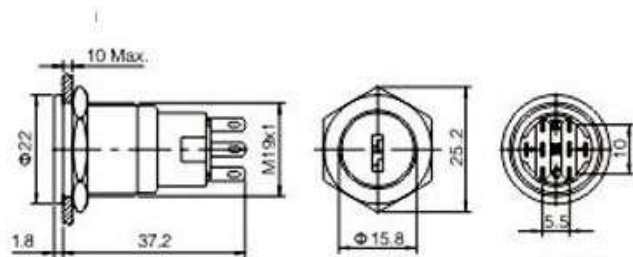
Dimensions



Electrical & Mechanical Properties

- Mounting hole size: $\Phi 19\text{mm}$
- Switch rating: 5A/250VAC
- Switch combination: 1NO1NC
- Operation types : 2 Position
- Head shape: Key

Drawing and Connection Terminals



Tail configuration	PIN terminal
Switch specifications	5A/250VAC
Contact resistance	$< 50\text{m}\Omega$
Insulation resistance	$> 1000\text{M}\Omega$
Dielectric Intensity	2000VAC
Ambient temperature	$-20^{\circ}\text{C} \sim +55^{\circ}\text{C}$
Mechanical life	500,000 cycles
Electrical life	50,000 cycles
Panel thickness	1 ~ 10mm
Nut torque	5 ~ 14Nm
Operation pressure	3 ~ 5N About 3 ~ 5N
Operation stroke	2.5mm About 2.5mm
Protection level	IP50, IK10
Contact	: Silver alloy



Red , Green and White Colour

* Pics shown above might change little from actual Product

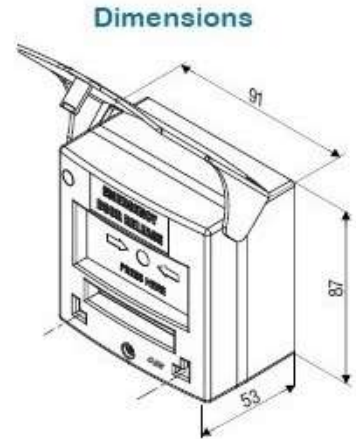
Model : SEK-MCP-KEYSWITCH-TAMPER -SPDT

SEK-MCP-KEYSWITCH-TAMPER -DPDT

OPTIONS : ON-OFF KEYSWITCH / MOMENTARY

**Emergency On-Off
Key-Switch**

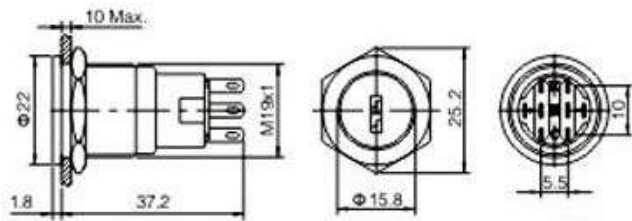
With TAMPER OUTPUT



Electrical & Mechanical Properties

- Mounting hole size: $\Phi 19\text{mm}$
- Switch rating: 5A/250VAC
- Switch combination: 1NO1NC
- Operation types: 2 Position
- Head shape: Key

Drawing and Connection Terminals

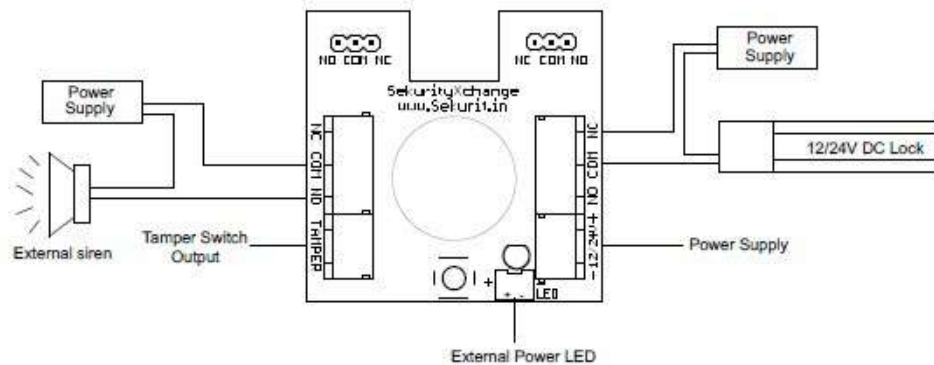


Tail configuration	PIN terminal
Switch specifications	5A/250VAC
Contact resistance	< 50mΩ
Insulation resistance	> 1000MΩ
Dielectric Intensity	2000VAC
Ambient temperature	-20°C ~ +55°C
Mechanical life	500,000 cycles
Electrical life	50,000 cycles
Panel thickness	1 ~ 10mm
Nut torque	5 ~ 14Nm
Operation pressure	3 ~ 5N About 3 ~ 5N
Operation stroke	2.5mm About 2.5mm
Protection level	IP50, IK10
Contact	: Silver alloy

COLOUR OPTIONS : Green / Red/ White



DIAGRAM AND CONNECTION EXAMPLES



* Pics shown above might change little from actual Product

LOCAL SCARE ALARM operated by KeySwitch in Compact Size

Visible, Easy to Install

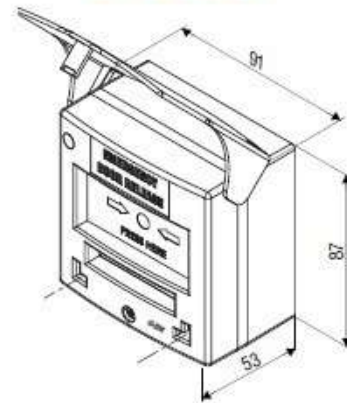
Flashing Backlit Dual Colour Led make it Very Visible from Long Distance



Model No. : SEK-MCP-10-LSA

- Automatic Voltage Input 12-24 vdc
- Connect to External Magnetic Door Sensor for Monitoring
- Inbuilt buzzer and Backlit Dual Colour Leds / Flasher
- LSA is armed by Keyswitch . Once Alarm is activated by door opening , it can be only silenced or disarmed by authorised person with Keyswitch only
- Can connect to External Loud Siren (optional)
- Isolated Relay Alarm Feedback Output

Dimensions

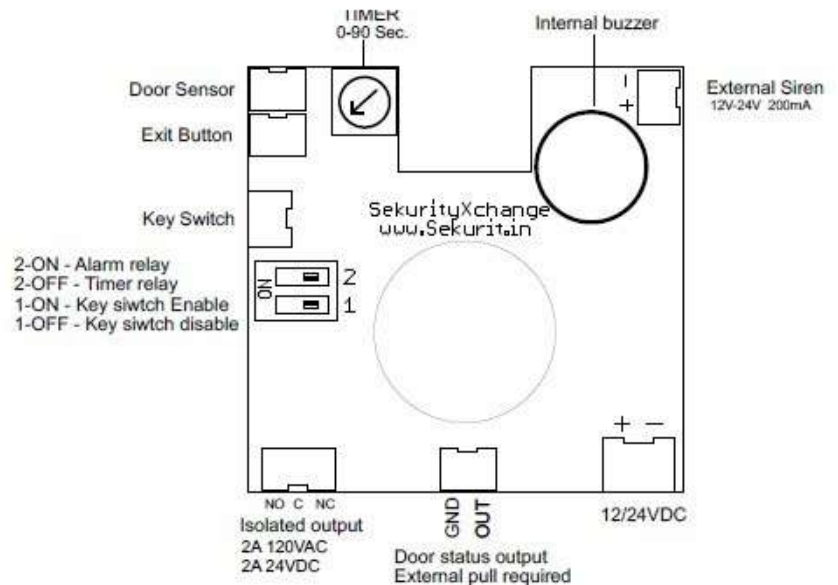


Main Features

- With inbuilt Led (Blue and Red), Flasher & Buzzer
- Provision to Connect External Loud Siren

Standard Features & Specifications

- Operating Auto- Voltage 12-24 Vdc
- Dimensions 87 * 91 * 53 mm



Red , Green and White Colour

Most Components used as Rohs Compliant



Call Points