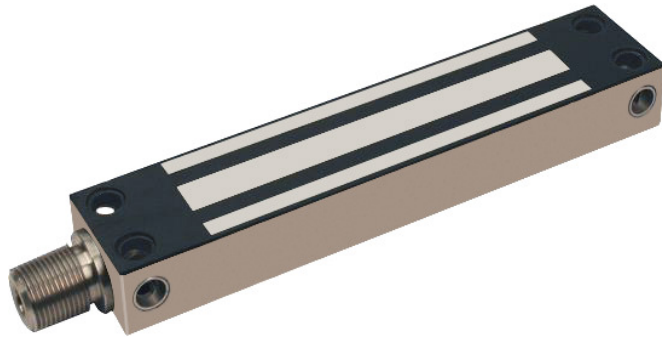
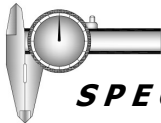


## SS-800-G GATE LOCK



The EBELCO Stainless Steel series electromagnetic locks are renowned with its water-proof construction for all weathers used and the heavy duty with excellent holding force.

The series are compliance to CE and manufactured under the highest quality control to achieve the commitment to customer who always satisfied with maximum quality and reliability.



### SPECIFICATIONS:

- ▶ **Voltage Input :** 12 VDC / 24 VDC
- ▶ **Current Draw :** 12V / 480mA ; 24V / 240mA (±5%)
- ▶ **Holding Force :** Up to 800 lbs (362 kg)
- ▶ **Hall Effect Contact :** 28 VDC, 0.2A, 5W
- ▶ **Anti-Rust Surface Treatment :** Blue Zinc Plating
- ▶ **Operating Temperature :** 0~55° C ( 32~131° F)
- ▶ **Operating Humidity :** 0~95% ( non condensing)
- ▶ **Weight ( Magnet ) :** 1.5 kg (±1%)
- ▶ **Dimensions :** Magnet - (L)220x(W)46x(T)28 mm  
Armature - (L)182x(W)44x(T)12 mm

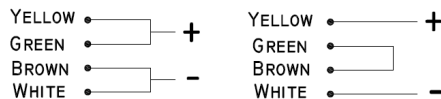


### FEATURES:

- ▶ **Threaded Conduit Fitting Design**
- ▶ **All Parts Sealed for Water-Resistance**
- ▶ **Unique Dual Sides Installation Design**
- ▶ **Heavy Duty Stainless Steel Case for Vandal-Resistance and Anti-Corrosion Purpose**
- ▶ **Dual Voltage Selectable (12 VDC or 24 VDC)**
- ▶ **Low Current Consumption**
- ▶ **Hall Effect Reed Monitoring Lock Status**
- ▶ **Reliable Holding Force**
- ▶ **Durable and Silence Operation**
- ▶ **Epoxy Sealed Surge & Spike Protection PCB**
- ▶ **Anti Residual Magnetism Kick Off Button**

#### IMPORTANT!

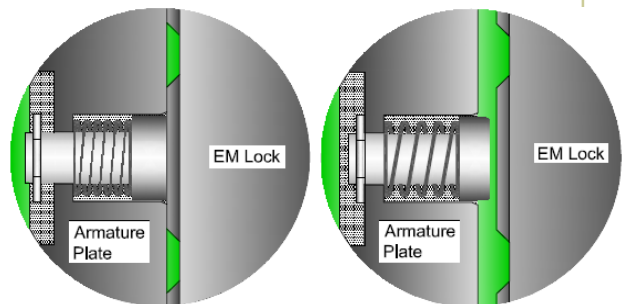
Before the power supply is switched on, set the wiring correctly.



12 VDC

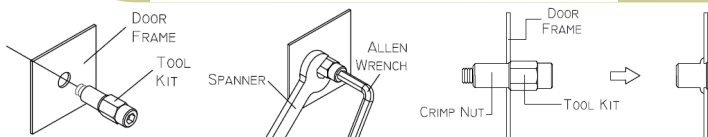
24 VDC

#### REED SENSOR CONTACT



EM Lock Energized

EM Lock De-energized



1. Drill  $\Phi 9.4$ mm hole and insert M6 crimp nut with Tool Kit.

2. Use the allen wrench with spanner and slowly tighten the crimp nut.

Before

After

Crimp Nut Installation Diagram

#### Disclaimer :

EBELCO reserve the right to go ahead with any modifications of models or features or price without forewarning. All the information and specifications stated in this document are current at the time of publication.

**SECURITY . QUALITY . RELIABILITY**

