

Resettable Call Point - Double Pole with Delayed Egress and Nuisance Alarm

Model No. : SEK-MCP-10-DE

Flashing Backlit Dual Colour LED make
Call-Point Very Visible from Long Distance



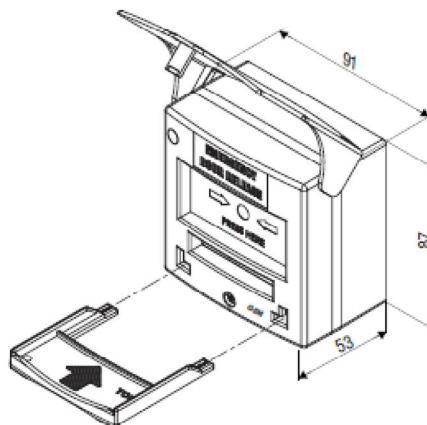
Meaning of Delayed Egress

Delayed egress systems are door locking systems which prevent a door from opening immediately when egress is attempted in a non-emergency situation.

Once Call point is pressed, Lock connected to one of timer Relay output will not open immediately. Instead pressing call point will raise inbuilt Buzzer (Nuisance Alarm) for 15 Seconds (Programmable timer) . After completion of 15 Seconds, Lock Relay Output is operated and thus Lock is opened and External siren is also Activated.

This Delayed Egress is beneficial as it give early warning to Site Guards for few seconds before actually opening the door

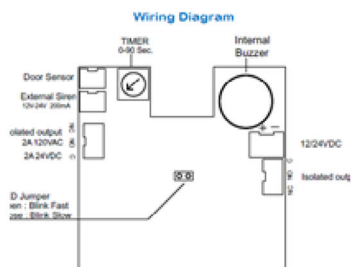
Dimensions



Call Points

Display Window Showing Lock – Unlock Status

Main Features



StandBy Condition



Alarm Condition



- Sekurit's Sek-Mcp-10- Led – Buzzer Series
- With inbuilt Led (Blue and Red), Flasher & Buzzer on Door Release
- Delayed Door Ajar Alarm
- Adjustable Timer Setting From 00-90 seconds
- Provision to Connect External Loud Siren
- **Double Poles Characteristics:**
First SPDT : Instant Output
Second SPDT : Delayed Output

Delayed egress has many important uses.

- * For healthcare facilities, it can alert staff to a patient attempting to leave the premises.
- * In commercial applications, doors may be equipped with delayed egress to discourage shoplifting.
- * At airports, doors leading to hazardous and flight line areas will be equipped with delayed egress to further secure these areas against unauthorized movements.
- * In schools and childcare, delayed egress systems will deter abductions, delinquency, etc.