

# Emergency On-Off Key-Switch ( Tabular Style ) in SS -304 Plate

Model No. : Sek-300-Keyswitch  
Same Keycode or All Different Keycodes Available on Request



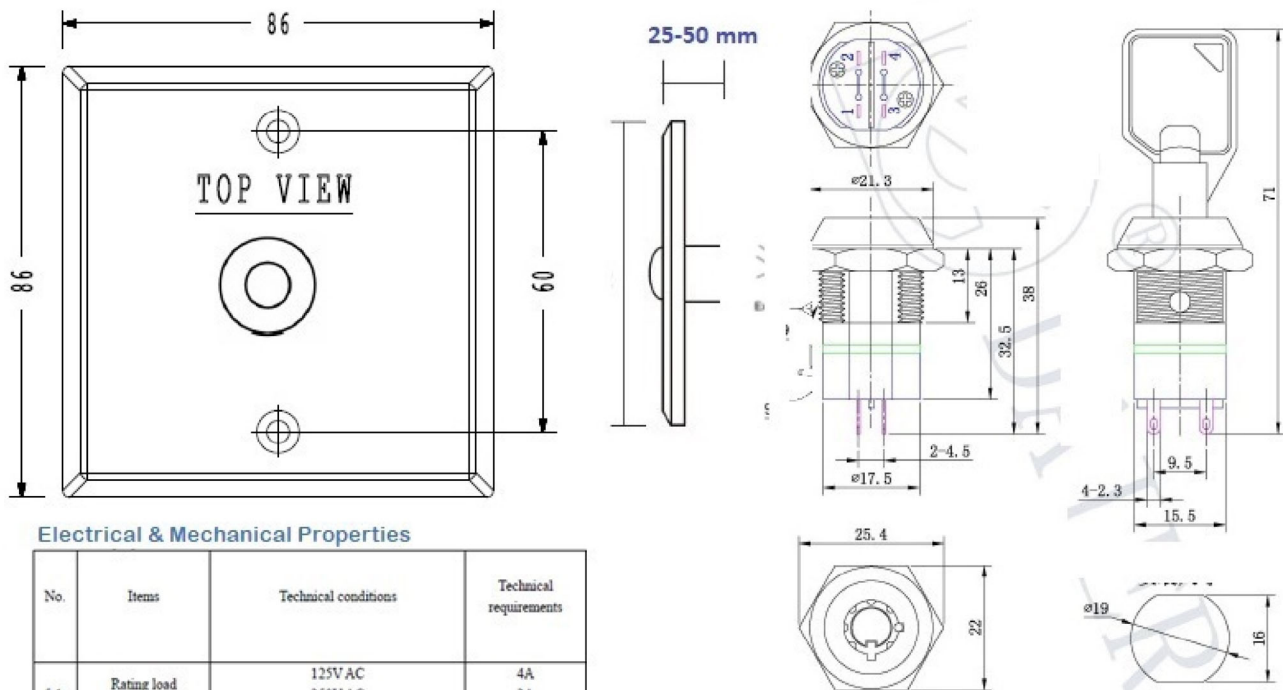
Wide Options & Variations Available : Momentary ,  
On-Off, SPDT, DPDT, Inbuilt Timer Relay , With  
Tamper Output, Inbuilt DMS ( Door Monitoring )

SWITCH AND LOCK FUNCTION:



SINGLE POLE SWITCHES						
MODEL NO.	NO. POLES	Connected Terminals		Key Pull Positions	Lock Configuration	Indexing
		POS. 1	POS. 2			
S-19-03-102	Single Pole	1-2	3-4	Positions 1&2		90°

Drawing and Connection Terminals



### Electrical & Mechanical Properties

No.	Items	Technical conditions	Technical requirements
5.1.	Rating load	125V AC 250V AC 28V DC	4A 2A 4A
5.2	Withstand Voltage	AC 1000V(50 Hz) 1min 2mA	No abnormality, no breakdown, no over arc.
5.3	Contact resistance	All terminals will be test but not include Socket around pin and switch part.	≤20mΩ
5.4	Insulation resistance	Test voltage: 500V DC 1min ± 5s. 500V DC 1 ± 5 Test position: Between all terminals between terminals and base	≥100MΩ 500V DC
5.5	Mechanical life	Inserting and extracting 10000times min.	

### Options



Keyswitch available in Different Sizes

\* Pics shown above might change little from actual Product