

EMERGENCY DOOR RELEASE

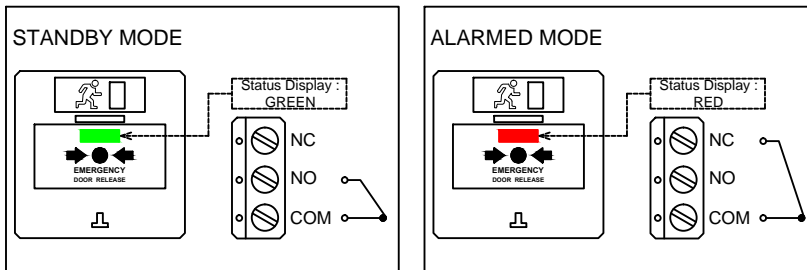
Spec	Model	EDR819-1	EDR819-2	EDR819-3
Status Indicator		GREEN (Standby) / RED (Alarmed)	GREEN (Standby) / RED (Alarmed)	GREEN (Standby) / RED (Alarmed)
Output Point (C,NC,NO)		1 Output	2 Outputs	3 Outputs
Max Current Rating		125Vac / 3A	125Vac / 3A	125Vac / 3A
Weight		135g (±2%)	135g (±2%)	135g (±2%)
Dimension		(L)86 x (W)86 x (T)42 (mm)	(L)86 x (W)86 x (T)42 (mm)	(L)86 x (W)86 x (T)42 (mm)
Material		ABS ; PC (Transparent Part)	ABS ; PC (Transparent Part)	ABS ; PC (Transparent Part)
Terminal Connector		Max. 2.0mm ² Cable	Max. 2.0mm ² Cable	Max. 2.0mm ² Cable

Features

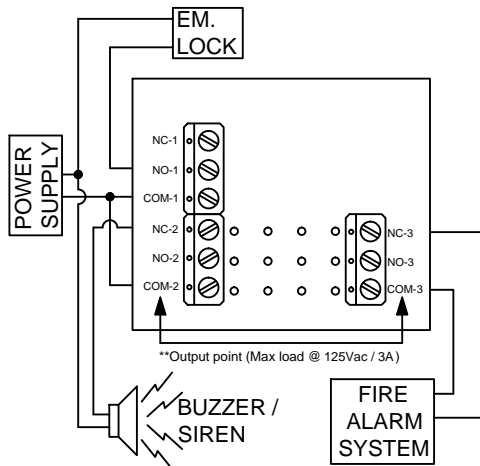
1. Resettable design.
2. Lock hole for authorize personnel usage. (PC Cover is needed)
3. Universal key design to reset, test or install easily.
4. Status indicator Green or Red at the centre.
5. High grade components with good quality guarantee.
6. Embedded or surface mounting options.
7. Available in 4 colors: green, white, red & blue.
8. Easy to assemble, clip on design between casing, simple & fast installation & maintenance.



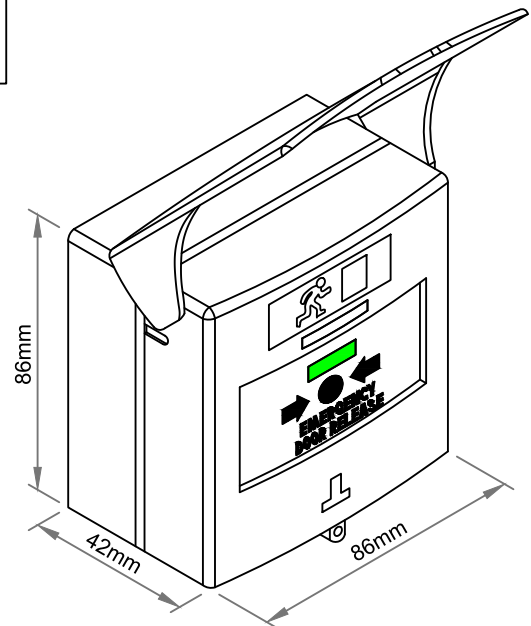
Note: EDR819 PC Cover is an accessories
Additional cost may apply.



Basic Wiring Diagram Concept



Remark:
Diagram above shown for 3 outputs model.



Disclaimer :
EBELCO reserve the right to go ahead with any modifications of models or features or price without fore warning. All the information and specifications stated in this document are current at the time of publication.

Copyright © EBELCO Industries Sdn. Bhd. All Right Reserved.
EISB-EDR-IG Ver.A Publish: 2.12.2019

①

②

Fixed holes embedded box at 60mm distance.

Important Notice: ⚠

Press the trigger plate to turn the status to Red before detach the front and middle case, this step precaution is to prevent the loaded spring inside from popping out.