

Innovative Manual Call Point of Highest International Quality & Unique Features

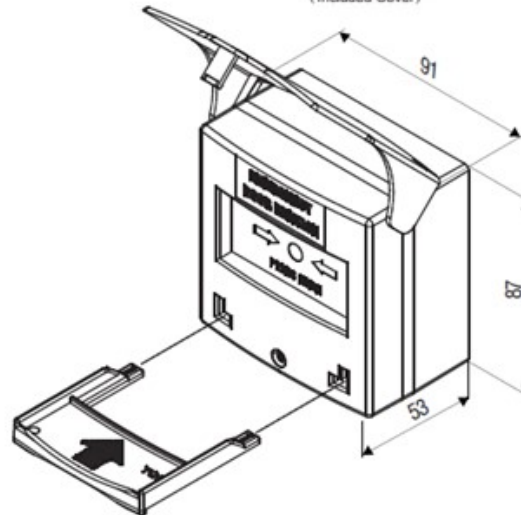
## Sekurit's Sek-Mcp-10 Series

- \* Resettable Flexi Element
- \* Ezee Front-loading Resettable Key
- \* Display Window showing Lock -Unlock Status
- \* Modern Sleek Design
- \* Double Pole / Single Pole



### Dimensions

Unit: mm  
(Included Cover)



The **SEKURIT** Resettable Call Point features a resettable operating element that produces no dangerous glass shards, making it suitable for use in high traffic areas, such as schools, shopping malls, or commercial buildings. The **SEK-MCP-10 SERIES** is designed for easy and quick installation.

### Specifications

- Operating voltage: 12/24 VDC
- Contact resistance: 100 mΩ
- Contact rating: 5A 125/250 VAC
- Resettable key included

### Options

- \* Inbuilt Backlit Led
- \* Inbuilt Buzzer
- \* Delayed Egress Timer

- Choice of 5 colors (Green/Blue/Yellow/White/Red)



### Display Window Showing Lock-Unlock Status



Lock Status



Unlock Status

### Accessories

Clear plastic cover

Resettable key



www.sekurit.in E-mail: info@sekurit.in  
Varunthaman@gmail.com M : 9810070733

 **SecurityXchange**  
...the real value of security

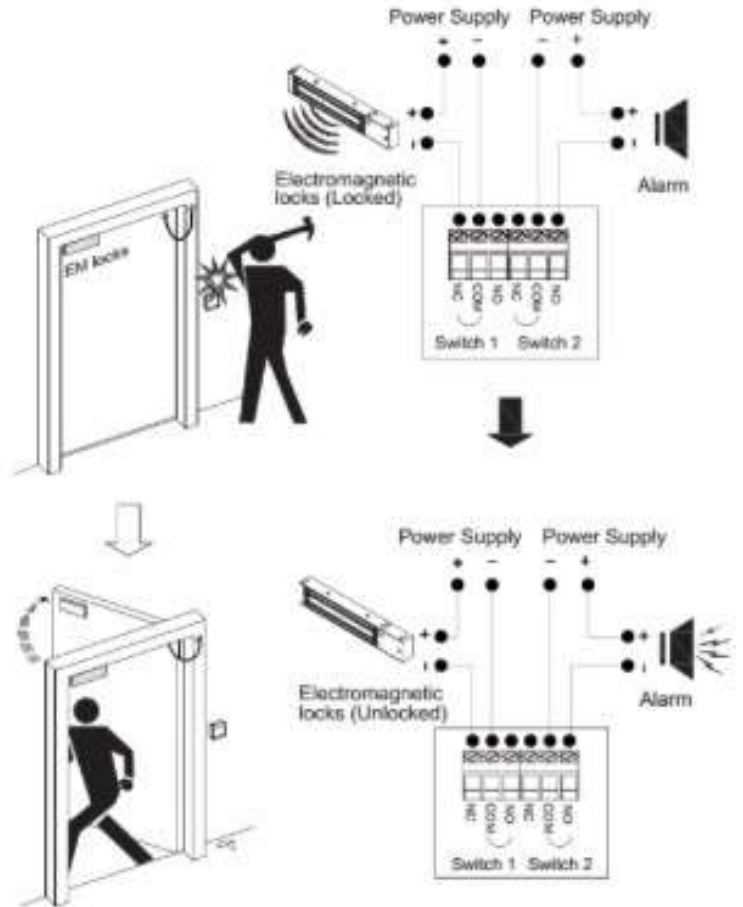
# Sekurit's Sek-Mcp-10 Series

## Statement

Sek-Mcp-10 series series call points, with double pole, change contacts from N/C to N/O. The main function is to override the electrical locking / release devices in case of emergency. A key is used to replace glass.

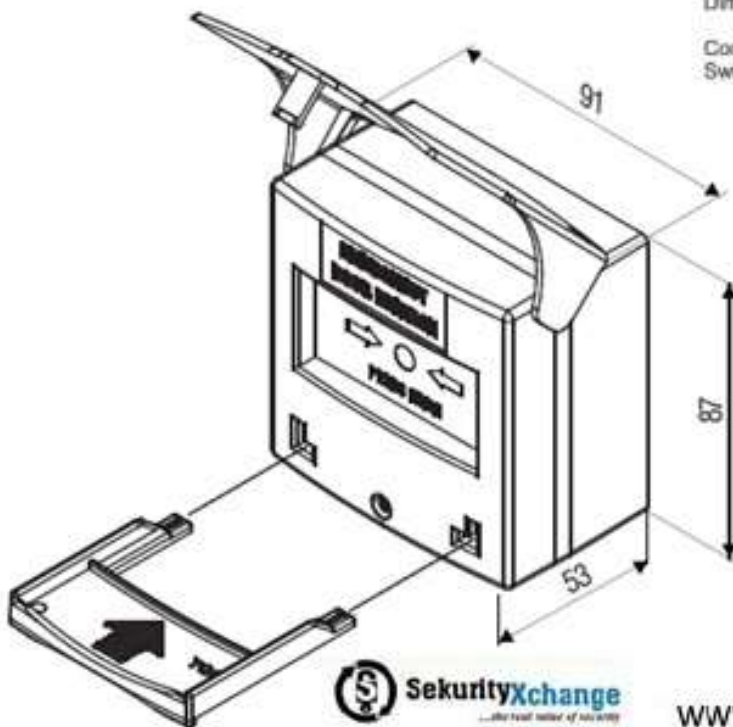


## Application



## Specification

Dimensions: 87x87x55 mm  
 87x93x55 mm (Included Cover)  
 Contact Resistance: 100mΩ  
 Switch rated: 5A 125/250 VAC



MCP with Cover Closed

