

**Emergency On-Off
Key-Switch**

With TAMPER OUTPUT

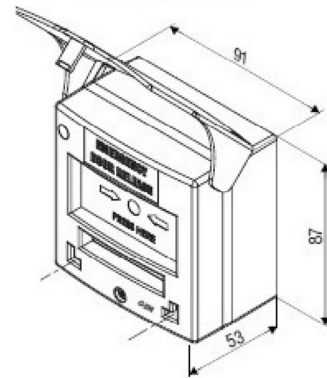
Model : SEK-MCP-KEYSWITCH-TAMPER -SPDT

SEK-MCP-KEYSWITCH-TAMPER -DPDT

OPTIONS : ON-OFF KEYSWITCH / MOMENTARY



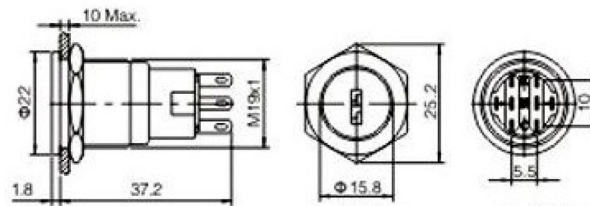
Dimensions



Electrical & Mechanical Properties

- Mounting hole size: $\Phi 19\text{mm}$
- Switch rating: 5A/250VAC
- Switch combination: 1N01NC
- Operation types 2 Position
- Head shape: Key

Drawing and Connection Terminals



Tail configuration	PIN terminal
Switch specifications	5A/250VAC
Contact resistance	$< 50\text{m}\Omega$
Insulation resistance	$> 1000\text{M}\Omega$
Dielectric Intensity	2000VAC
Ambient temperature	$-20^{\circ}\text{C} \sim +55^{\circ}\text{C}$
Mechanical life	500,000 cycles
Electrical life	50,000 cycles
Panel thickness	1 ~ 10mm
Nut torque	5 ~ 14Nm
Operation pressure	3 ~ 5N About 3 ~ 5N
Operation stroke	2.5mm About 2.5mm
Protection level	IP50, IK10
Contact	: Silver alloy

COLOUR OPTIONS : Green / Red/ White

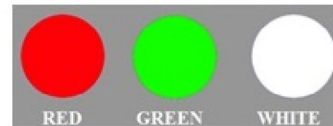
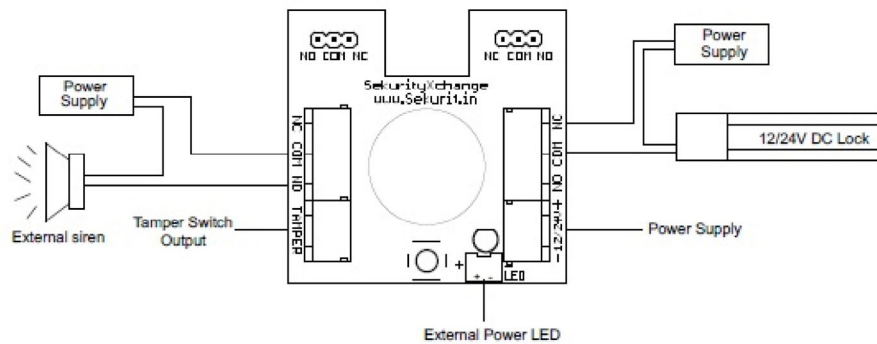


DIAGRAM AND CONNECTION EXAMPLES



* Pics shown above might change little from actual Product