



# INDUSTRIAL QUALITY & STRONG : Emergency Keyswitches

SS-304 PLATE

Dimensions : American Size  
ANSI Standard

Same Keycode or All Different Keycodes  
Available on Request for Tabular Style Keys



Sek-600-Key-SPDT-On-Off



Sek-600-Key-On-Off  
Led-Tamper Output

**Tabular Style Key**

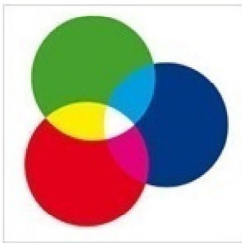


Sek-600-Mushroom-Key-On-Off



Sek-600-Mushroom- Key-  
Press to Rotate Push

## Push Button Colours



Wide Options & Variations Available : Momentary ,  
On-Off , SPDT , DPDT , Inbuilt Timer Relay , With  
Tamper Output, Inbuilt DMS ( Door Monitoring )

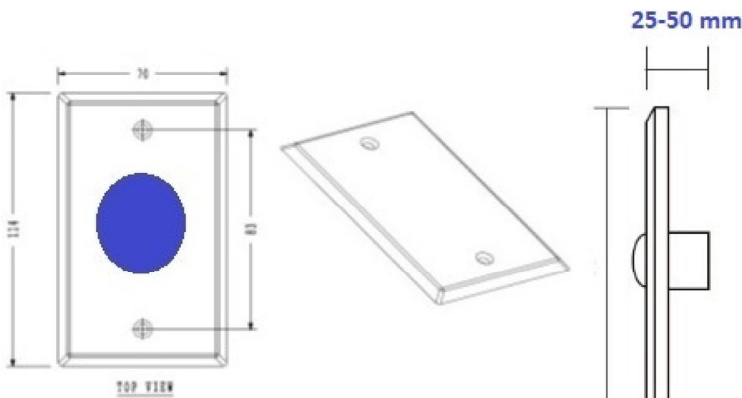
Key Options  
Tabular Style Key      Standard Key



## Specification

- Size: 114 mm by 70 mm
- Standard Structure: Steel Button
- Current Rating: 3A@36VDC Max
- Output Contact: NO/NC/COM
- Mechanical Life: 500000 tested
- Suitable for Door: Hollow Door
- Operating temp: 10~+55°C (14-131F)
- Operating Humidity: 0-95%(relative humidity)
- Weight: 0.23kg
- Actual Product might look Slightly different from Photos shown above

## Wiring Diagram



## Electrical & Mechanical Properties

| No.  | Items                 | Technical conditions  | Technical requirements                          |
|------|-----------------------|---|---|
| 5.1. | Rating load           | 125V AC<br>250V AC<br>28V DC  | 4A<br>2A<br>4A                                  |
| 5.2  | Withstand Voltage     | AC 1000V(50 Hz)<br>1min 2mA   | No abnormality,<br>no breakdown,no<br>over arc. |
| 5.3  | Contact resistance    | All terminals will be test but not include<br>Socket ground pin and switch part.                                      | ≤20mΩ   |
| 5.4  | Insulation resistance | Test voltage:500V DC 1min ± 5s<br>500V DC 1 ± 5<br>Test position: Between all terminals<br>between terminals and base | ≥100MΩ<br>500V DC                               |
| 5.5  | Mechanical life       | Inserting and extracting 10000times min.  |   |