

Model : SEK-MCP-10-DPDT -Led

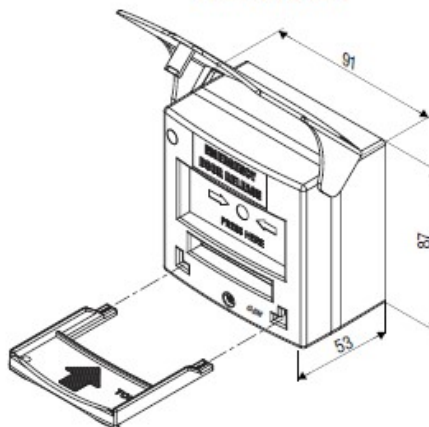
Safe, Visible, Easy to Install

Flashing Backlit . LED make
Call-Point Very Visible from Long Distance

- Double Pole DPDT Connections
- Fully Resettable Emergency Door Release
- Unique Visible Window To Display Door OPEN -CLOSE
- Transparent Protective Flip Cover (Optional)

Led of Mcp can be powered by external 12 vdc or 3.7v Battery

Dimensions



Call Points



Power Input Options



- * 12 vdc Input
or
- * 3.7 V Lion Battery (Full charge of 3.7v - 1amp lasts for around 12-18 months)

**Battery supplied separately.
Battery is rechargeable type**



Flashing Led

Led will blink/flash once every 15 seconds

Wiring Diagram

