

# REVERSIBLE PANIC EXIT DEVICE

## PRESS TYPE PANIC BAR



**Model : SEK-300P2**

## FEATURES

- Reversible Latch-Bolt for LH/ RH Door
- Dogging Device
- Sturdy Oval Push Bar
- Concealed Screws
- Streamline Appearance



## OPTIONAL COMBINATION DEVICES

### LOCAL SCARE ALARM



Resettable Call Points with Back-lit Led , Buzzer  
& Door Monitoring Alarm



# REVERSIBLE PANIC EXIT DEVICE

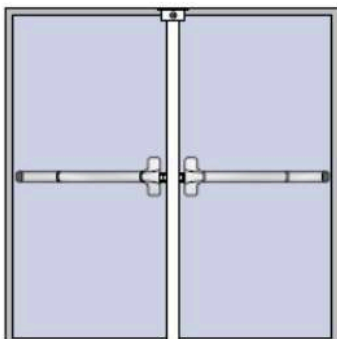
WITH ALARM FUNCTION , INBUILT BATTERY& KEY-SWITCH OPERATION

## PUSH TYPE PANIC BAR



## Model : SEK-510P REVERSIBLE PANIC EXIT DEVICE with ALARM FUNCTION

- Reversible Latch-Bolt for LH/ RH Door
- Alarm Function with inbuilt Buzzer
- Keyswitch to Arm / Disarm
- Inbuilt Small Battery Back-Up
- From 36 inch to 48 inch Adjustable .
- Streamline Appearance



Two Rim Devices on 2 independent active doors with removable mullion.

## OPTIONAL COMBINATION DEVICES LOCAL SCARE ALARM



## Resettable Call Points with Back-lit Led , Buzzer & Door Monitoring Alarm



# REVERSIBLE PANIC EXIT DEVICE

**Model : SEK-301**

## REVERSIBLE PANIC EXIT DEVICE

### PUSH TYPE PANIC BAR

- Reversible Latch-Bolt for LH/ RH Door
- From 36 inch to 48 inch Adjustable .
- Streamline Appearance



## OPTIONAL COMBINATION DEVICES

### LOCAL SCARE ALARM

operated by KeySwitch in Compact Size



### Resettable Call Points with Back-lit Led , Buzzer & Door Monitoring Alarm





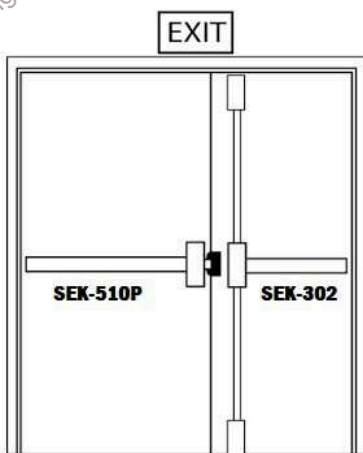
# DOUBLE-DOOR PUSH TYPE PANIC EXIT DEVICE



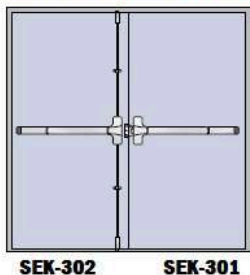
## Model : **SEK-302 DOUBLE DOOR PUSH TYPE PANIC EXIT DEVICE**

- Reversible for LH/ RH Door
- From 36 inch to 48 inch Adjustable .
- Streamline Appearance
- **COMPATIBLE WITH MODEL SEK-510P & SEK-301**

DOUBLE DOOR APPLICATIONS



DOUBLE DOOR APPLICATIONS



## OPTIONAL COMBINATION DEVICES LOCAL SCARE ALARM

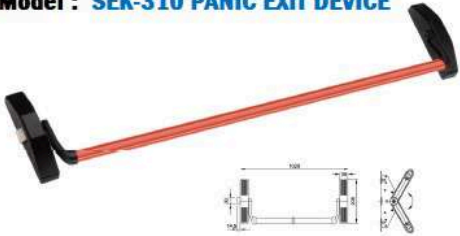


Resettable Call Points with Back-lit Led , Buzzer  
& Door Monitoring Alarm



# DOUBLE-DOOR PRESS TYPE PANIC EXIT DEVICES

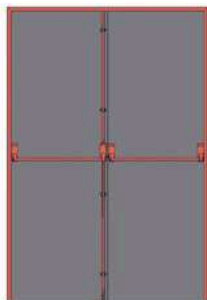
Model : **SEK-310 PANIC EXIT DEVICE**



Model : **SEK-330 DOUBLE DOOR PANIC EXIT DEVICE**



## DOUBLE DOOR APPLICATIONS



Model : **SEK-310 & SEK-330**

- From 36 inch to 48 inch Adjustable .
- Streamline Appearance

## OPTIONAL COMBINATION DEVICES LOCAL SCARE ALARM



Resettable Call Points with Back-lit Led , Buzzer  
& Door Monitoring Alarm





# **COMBINATION-SUPPORTING DEVICES USED WITH PANIC EXIT DEVICES**



# Resettable Call Points

## STANDARD FEATURES AND SPECIFICATIONS

Model : **SEK-MCP-10-TPDT - BUZ**

### TRIPLE POLE WITH FLASHER & BUZZER

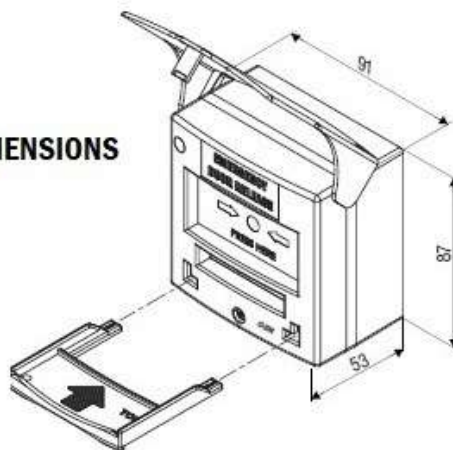
- Triple Pole : 3 Independent SPDT Connections
- One Direct Microswitch SPDT Output & Two no.'s Relay operated SPDT Outputs
- Multiple Voltage Input 12-24 vdc
- Inbuilt buzzer & Terminals for External Siren Output
- Default Green Led ( Enable -Diable by Jumper )
- Alarm Condition ( Red Led and Internal Buzzer on )
- Fully Resettable Emergency Door Release
- Unique Visible Window To Display Door OPEN -CLOSE
- Transparent Protective Flip Cover ( Optional )
- Available in Red -Green-White Colours



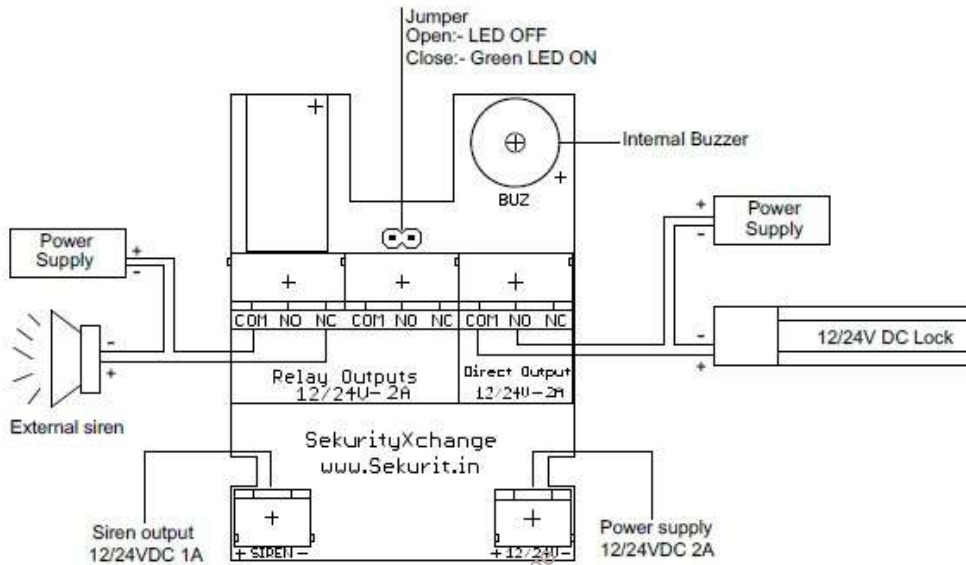
COLOUR OPTIONS : Green / Red/ White



### DIMENSIONS



### DIAGRAM AND CONNECTION EXAMPLES





# INDUSTRIAL QUALITY & STRONG: Emergency Keyswitches

**SS-304 PLATE**

**Dimensions : American Size  
ANSI Standard**

**Same Keycode or All Different Keycodes  
Available on Request for Tabular Style Keys**



Sek-600-Key-SPDT-On-Off



Sek-600-Key-On-Off  
Led-Tamper Output  
**Tabular Style Key**



Sek-600-Mushroom-Key-On-Off



Sek-600-Mushroom- Key-  
Press to Rotate Push

### Push Button Colours



**Wide Options & Variations Available : Momentary, On-Off, SPDT, DPDT, Inbuilt Timer Relay, With Tamper Output, Inbuilt DMS ( Door Monitoring )**

### Key Options

Tabular Style Key

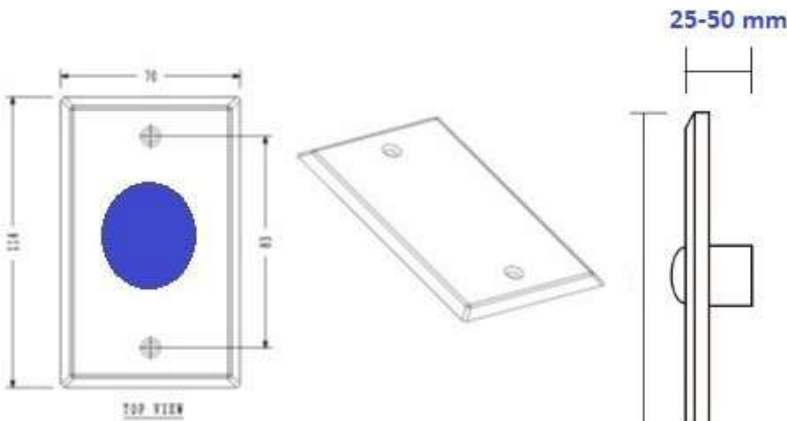
Standard Key



## Specification

- Size: 114 mm by 70 mm
- Standard Structure: Steel Button
- Current Rating: 3A@36VDC Max
- Output Contact: NO/NC/COM
- Mechanical Life: 500000 tested
- Suitable for Door: Hollow Door
- Operating temp: 10~+55°C (14-131F)
- Operating Humidity: 0-95%(relative humidity)
- Weight: 0.23kg
- Actual Product might look Slightly different from Photos shown above

## Wiring Diagram



### Electrical & Mechanical Properties

No.	Item:	Technical conditions	Technical requirements
5.1.	Rating load	125V AC 250V AC 28V DC	4A 2A 4A
5.2	Withstand Voltage	AC 1000V(50 Hz) 1min 2mA	No abnormality, no breakdown, no over arc.
5.3	Contact resistance	All terminals will be test but not include Socket ground pin and switch part	≤20mΩ
5.4	Insulation resistance	Test voltage 500V DC 1min ± 5s. 500V DC 1 ± 5 Test position Between all terminals between terminals and base	≥100MΩ 500V DC
5.5	Mechanical life	Inserting and extracting 10000times min.	



# DOOR AJAR ALARM

(DOOR MONITORING SYSTEM)

in Small Compact Housing

Model No. : SEK-MCP-DMS

- Voltage Input 12 vdc
- Programmable Timer from **00-30** seconds for Door Ajar Alarm
- Connect to External Magnetic Door Sensor for Monitoring
- Inbuilt buzzer and Backlit Dual Colour Leds / Flasher
- Can connect to External Loud Siren ( optional )

## Visible, Easy to Install

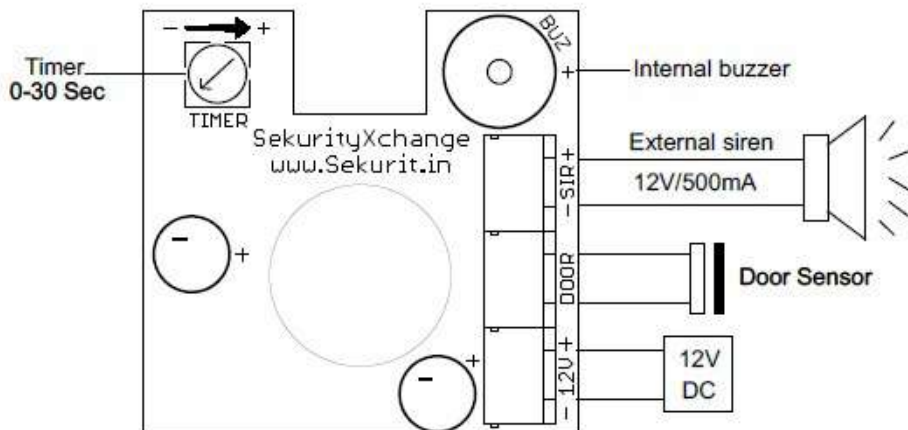


Backlit Led make it Very Visible from Long Distance

**PCB Version** Model no. : DMS-PCB  
Also Available for Sale

( Very Small Size of 46 by 45 mm to fit behind Reader / other Junction Box )

## DIAGRAM AND CONNECTION EXAMPLES



**COLOUR OPTIONS : Green / Red/ White**



Call Points

# LOCAL SCARE ALARM operated by KeySwitch in Compact Size

## Door Monitoring System



**Sek-600-LSA**



**Sek-300-LSA**



**Sek-600-LSA-Buzz**

### Back-Side View of Circuit



Recessed Mounting or Surface Wall Mounting in Plastic or Metal Standard Gang Box 3 by 3 Inch ( optional )

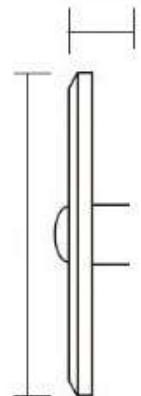
### PCB Version LSA-PCB Also Available for Sale

( Very Small Size of 46 by 45 mm to fit behind Reader / other Junction Box )

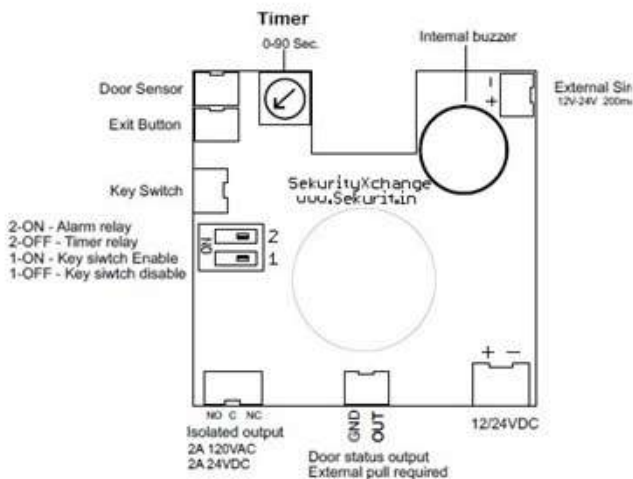
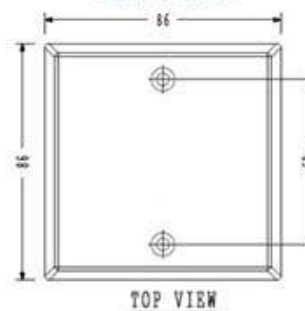
### Standard Features & Specifications

- Automatic Voltage Input 12-24 vdc
- Connect to External Magnetic Door Sensor for Monitoring
- Inbuilt buzzer
- LSA is armed by Keyswitch . Once Alarm is activated by door opening , it can be only silenced or disarmed by authorised person with Keyswitch only
- Can connect to External Loud Siren ( optional )
- Isolated Relay Alarm Feedback Output

25-50 mm



### Dimensions





# LOCAL SCARE ALARM operated by KeySwitch in Compact Size

## Visible, Easy to Install

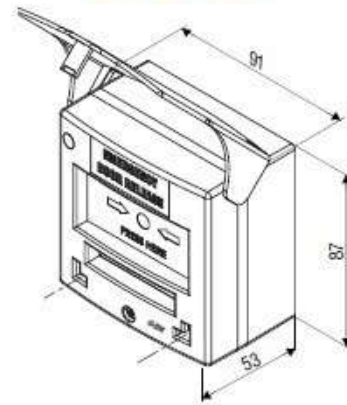
Flashing Backlit Dual Colour Led make it Very Visible from Long Distance



Model No. : SEK-MCP-10-LSA

- Automatic Voltage Input 12-24 vdc
- Connect to External Magnetic Door Sensor for Monitoring
- Inbuilt buzzer and Backlit Dual Colour Leds / Flasher
- LSA is armed by Keyswitch . Once Alarm is activated by door opening , it can be only silenced or disarmed by authorised person with Keyswitch only
- Can connect to External Loud Siren ( optional )
- Isolated Relay Alarm Feedback Output

### Dimensions

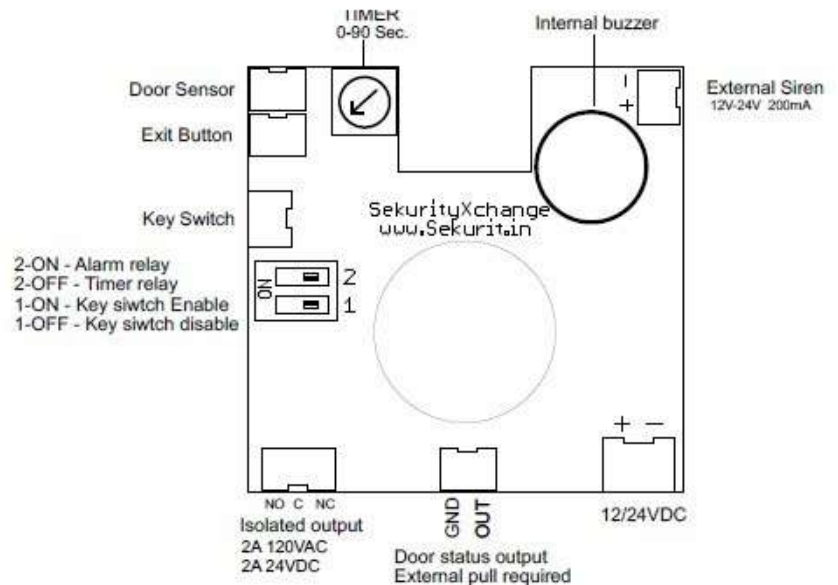


### Main Features

- With inbuilt Led ( Blue and Red ), Flasher & Buzzer
- Provision to Connect External Loud Siren

### Standard Features & Specifications

- Operating Auto- Voltage 12-24 Vdc
- Dimensions 87 \* 91 \* 53 mm



Red Green and White Colour

Most Components used as Rohs Compliant



SecurityXchange

Call Points