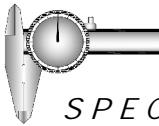
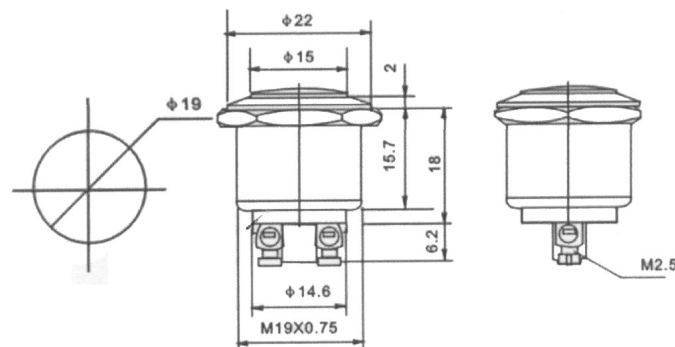




Model : DEB-33SS

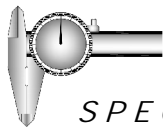
S/Steel EXIT  
Push Button*SPECIFICATIONS:*

- Material : Stainless Steel Grade 304
- Standard Structure : Stainless Steel Plate/Button
- Current Rating : 4Amp@125VAC ; 2Amp@250VAC
- Weight : 90.0 g
- Dimensions : (L)85 x (W)85 x (T)35 mm





Model : EMC-1008R

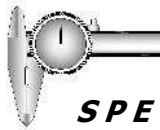


*SPECIFICATIONS :*

- Construction : Rhodium Over Gold Reeds
- Max Contact Rating : 28VDC, 0.5A, 10W
- Gap Distance : 3/4" ~ 1" inch wide gap
- Installation : Adhesive Tape or Mounting Screw
- Packing : 20 units per pack
- Dimensions : (L)28 x (W)12 x (T)7 mm



**Model : DEB-33ABS**



***SPECIFICATIONS:***

- **Construction :** White Beige ABS
- **Standard Structure :** Plastic Panel and Button
- **Current :** 3A @ 36 VDC max
- **Mean Time Between Failure :** 500,000 press tested
- **Installation :** Concealing Box
- **Weight :** 0.15 kg
- **Dimensions :** (L)86 x (W)86 x (T)30 mm

**Security . Quality . Reliability**

---

# EMERGENCY DOOR RELEASE

Model: E-108 DPDT



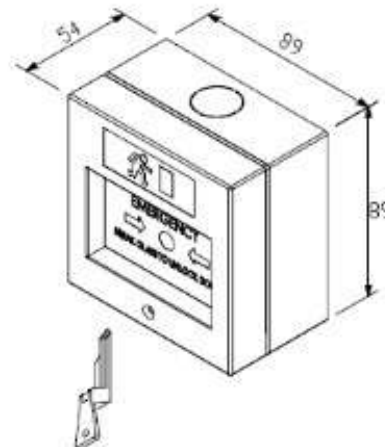
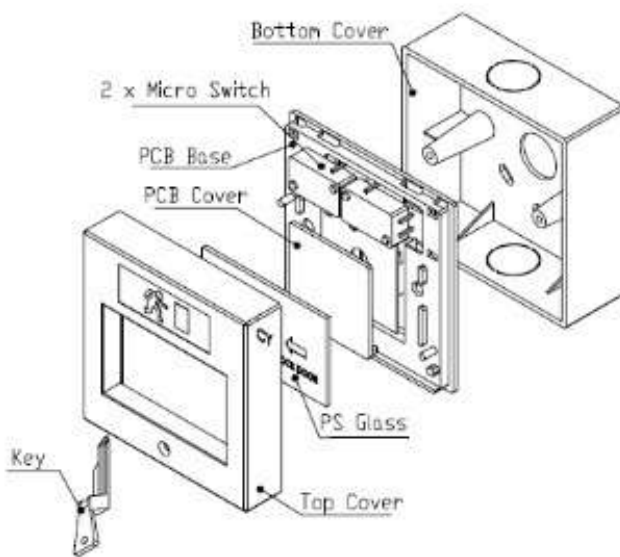
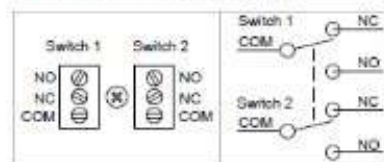
## Benefits :

- The micro switch used ensures absolute flawless function of the circuitry.
- E-108 DPDT come with 2 Single Pole Double Throw micro switches for independent input and output monitoring.
- PS Glass is used for its durability & reliability feature.
- A test key is provided for instant test operation.

## Specification :

Size	89 x 89 x 54 mm
Current Rating	12/24 VDC; 10A 48 VDC; 3A
Net Weight	145 gm
Colour Available	Deep Green, White, Red & Yellow
Connections	Terminal - Max 2.0 mm <sup>2</sup> Cable

## DPDT Diagram



## Description :

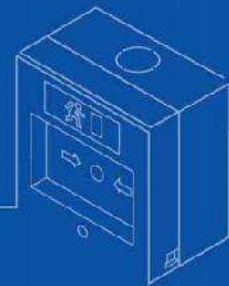
The Ebleco Emergency Door Release E-108 DPDT is specially designed for the use in fire detection with the central control monitoring systems. Its can be used for open or closed circuit. When the PS Glass is pressed hard or break, the circuit will close or open instantly vice versa.

The model is moulded with the highest engineering precision. The ABS material used is noted to be high resistance to heat and with good impact strength.

To ensure long lasting resistance to corrosion, the metal parts are made of brass and phosphor bronze.



**EMERGENCY  
DOOR RELEASE**





# EMERGENCY DOOR RELEASE

Model: E-108E

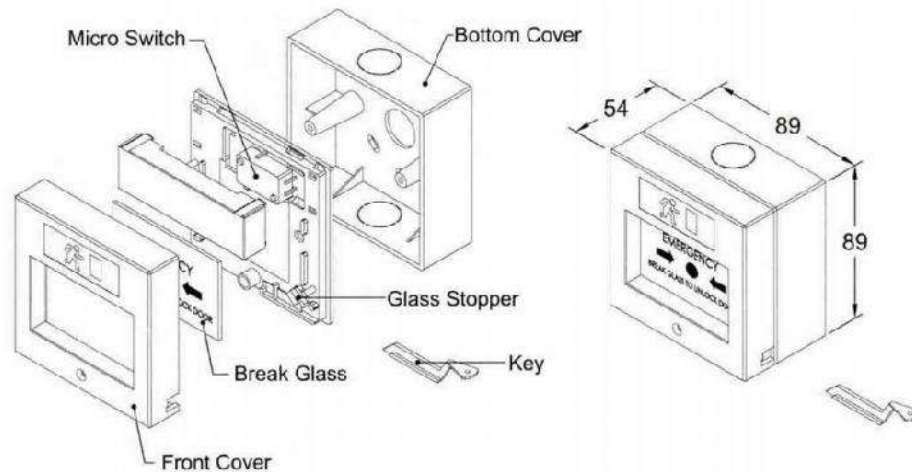


## Benefits :

- The micro switch used ensures absolute flawless function of the circuitry.
- Come with double terminal wire connectors for independent input and output connectors. This facilitates installations when used in looping.
- A test key is provided for instant test operation.

## Specification :

Size	89 x 89 x 54mm
Current Rating	12/24VDC, 10A 48VDC, 3A
Net Weight	145gm
Colour Available	Deep Green, White, Red & Yellow
Connections	Terminal - Max 2.0mm <sup>2</sup> Cable



## Description :

Emergency Door Release is specially designed for use in fire detection systems with central control monitor. It can be used for open or closed circuit and when the glass is pressed hard, the circuit closes instantly when the glass breaks.

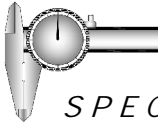
This model is moulded with the highest engineering precision. The plastic material is noted to be of high resistance to heat and with good impact strength.

To ensure a long lasting resistance to corrosion, the metal parts are made from brass and phosphor bronze.



Model : KS-33SS

S/Steel  
Key Switch



*SPECIFICATIONS:*

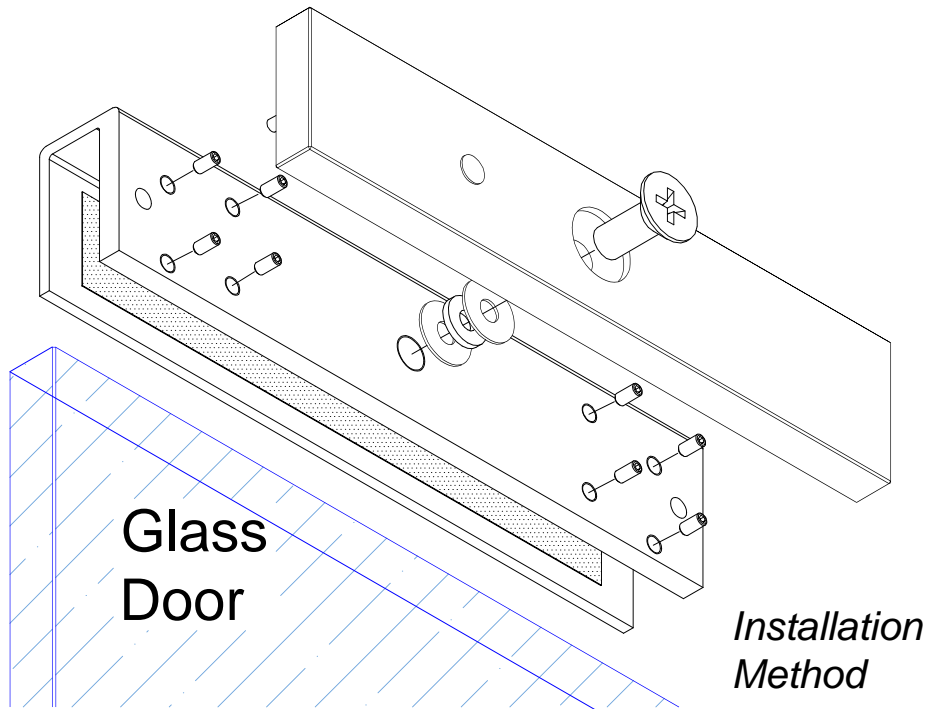
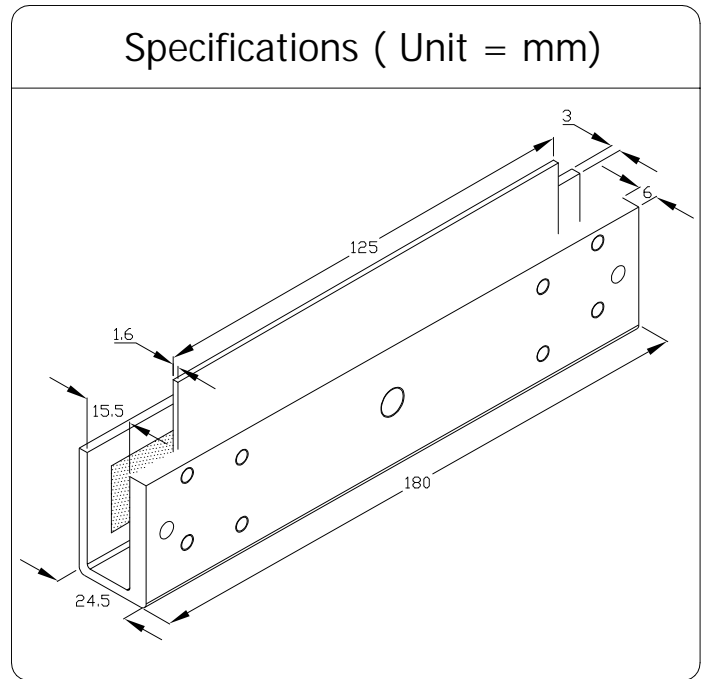
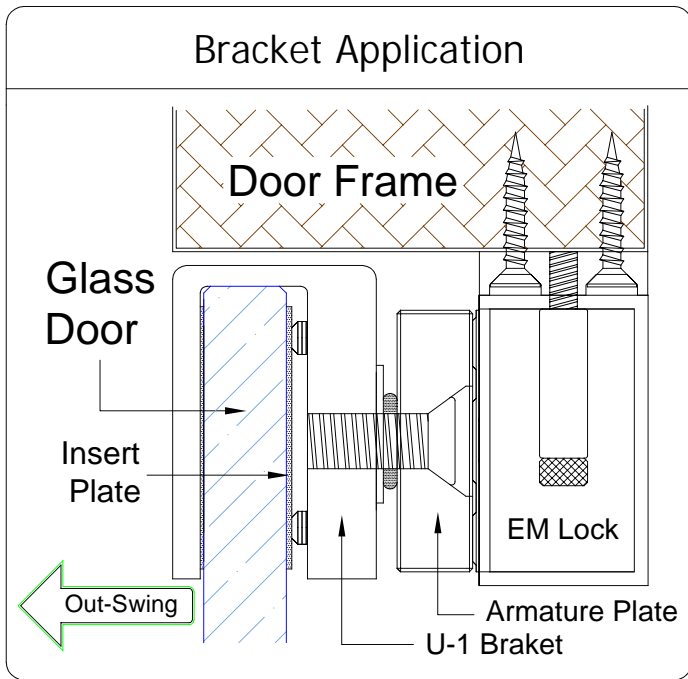
- Material : Stainless Steel Grade 304
- Standard Structure : Stainless Steel Plate/Key Switch
- Operation: Common ; NC ; NO (SPDT)
- Current Rating : 4Amp@125VAC ; 2Amp@250VAC
- Weight : 92.5 g
- Dimensions : (L)85 x (W)85 x (T)35 mm

Security . Quality . Reliability

---

# EM600 - U1 Bracket

( Glass Door Application )



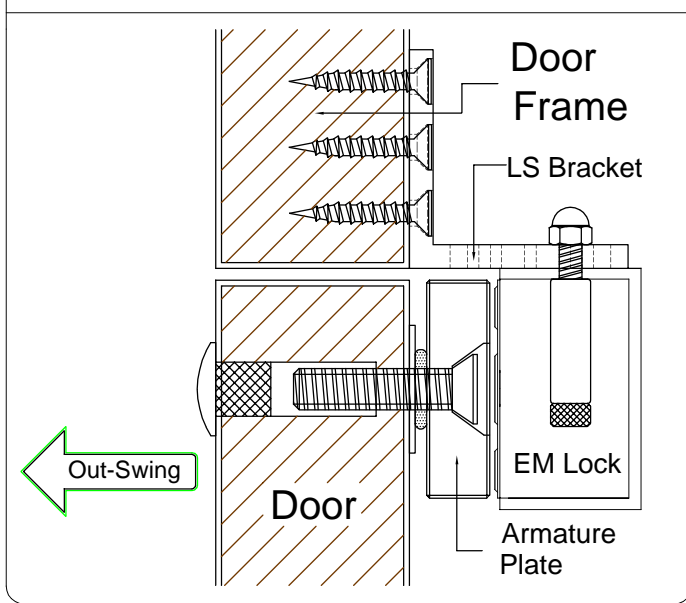
Security . Quality . Reliability



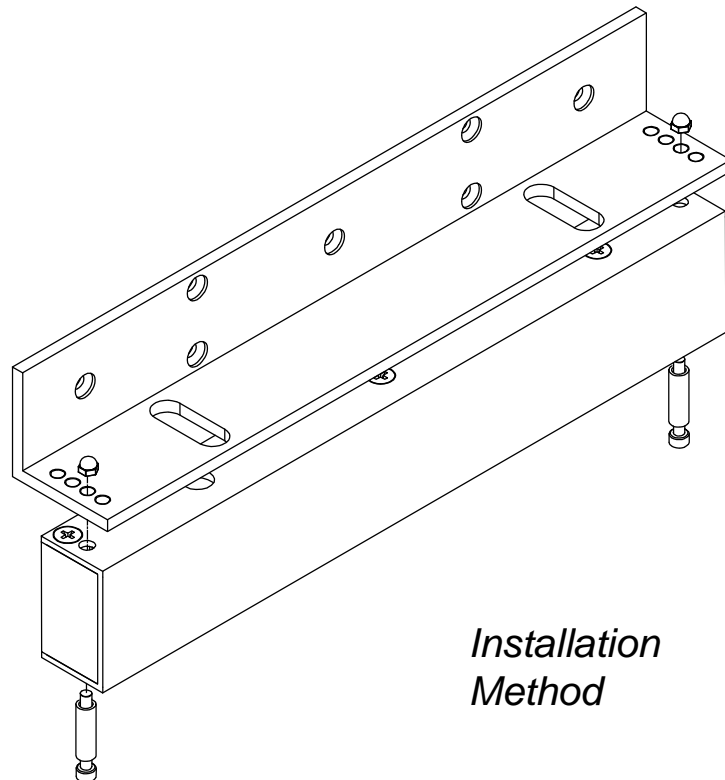
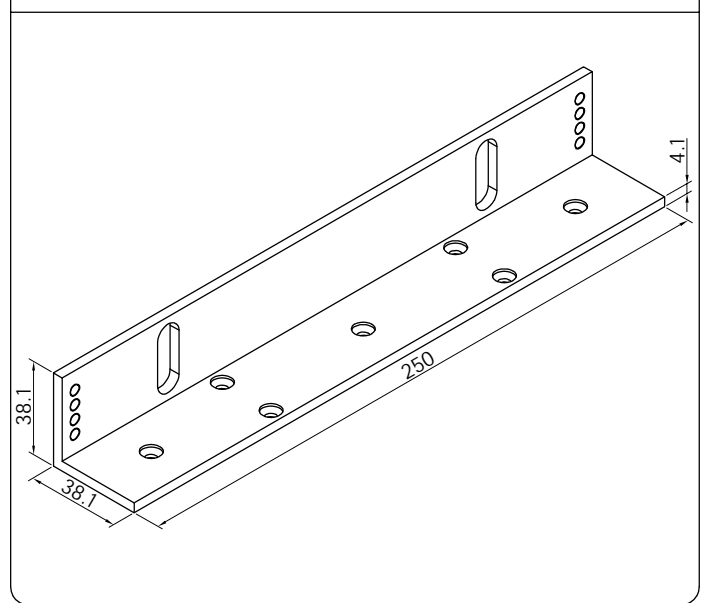
# EM600 - LS Bracket

( Out - Swing Door Application )

Bracket Application



Specifications ( Unit = mm )

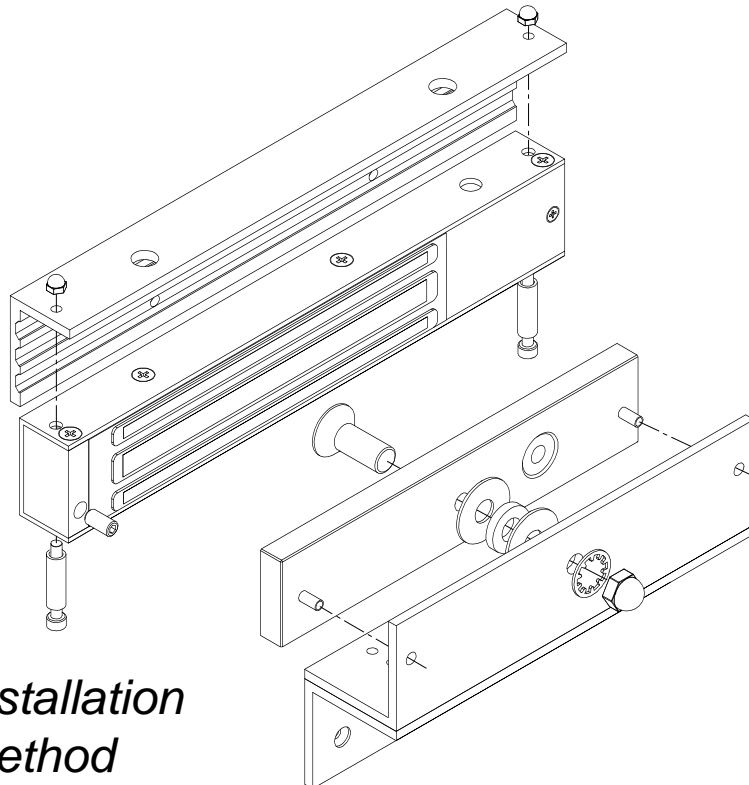
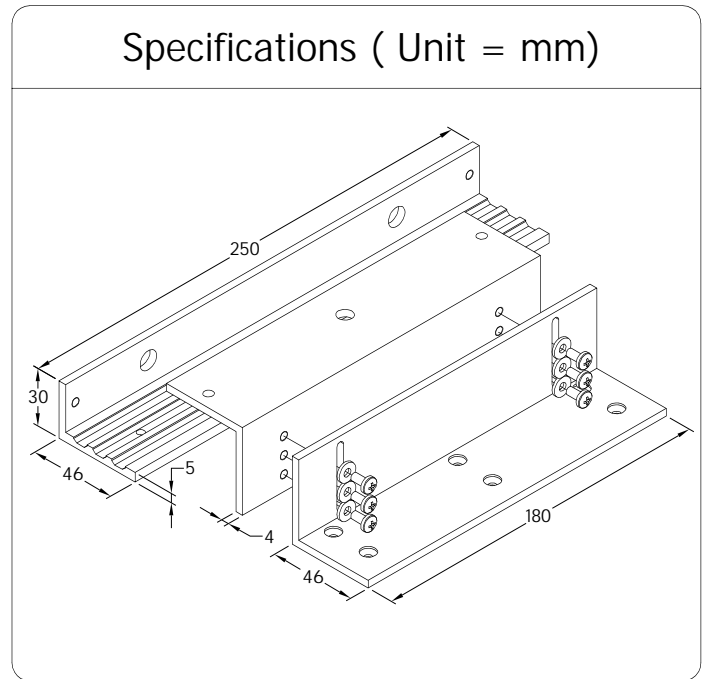
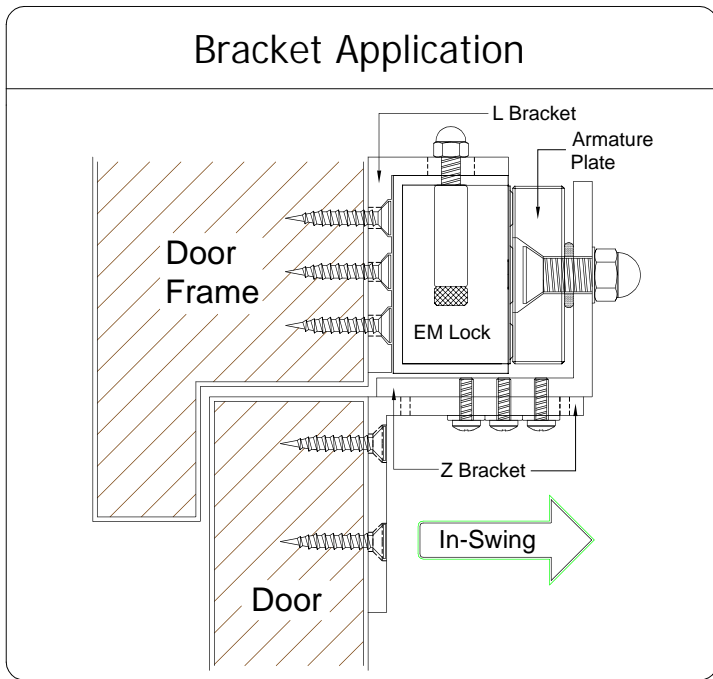


*Installation  
Method*

**Security . Quality . Reliability**

# EM600 - ZL Bracket

( In - Swing Door Application )

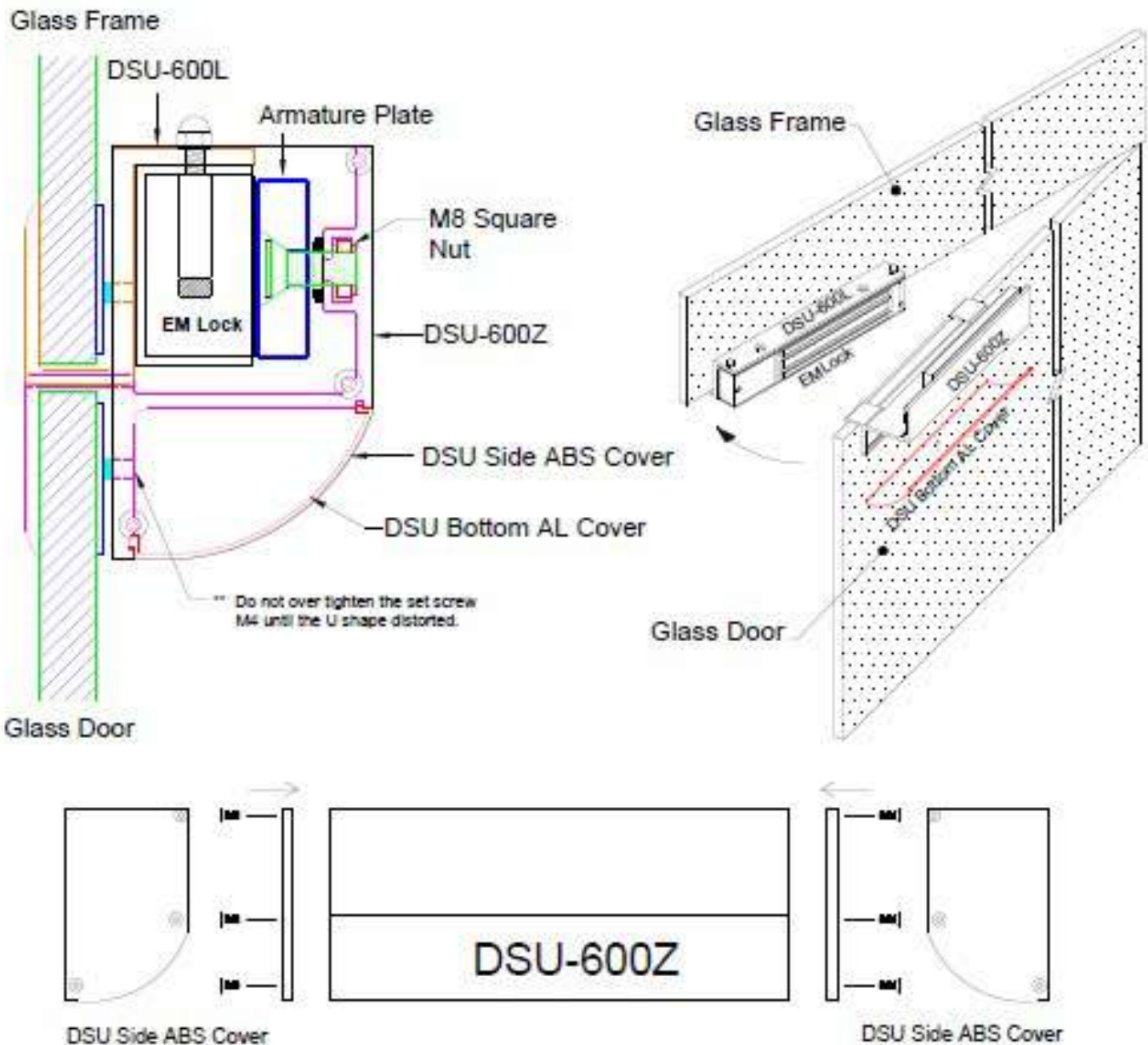


*Installation  
Method*

**Security . Quality . Reliability**



# DSU-600 Cover Bracket Installation Guide



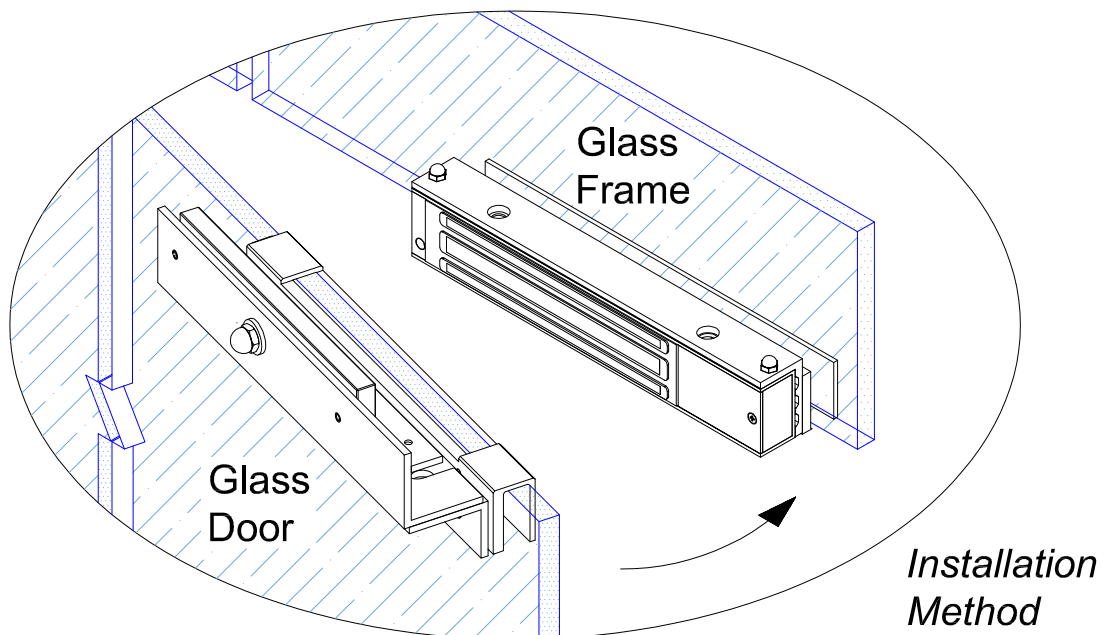
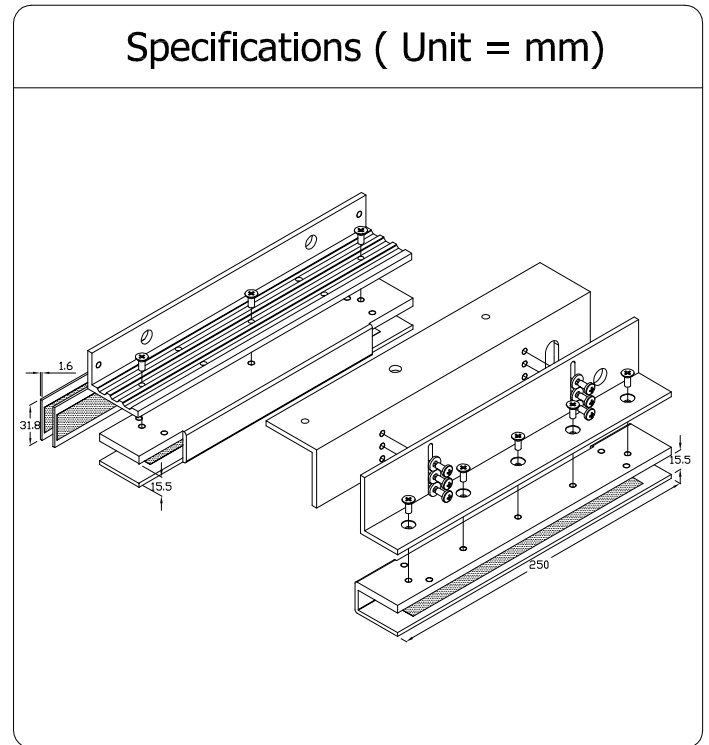
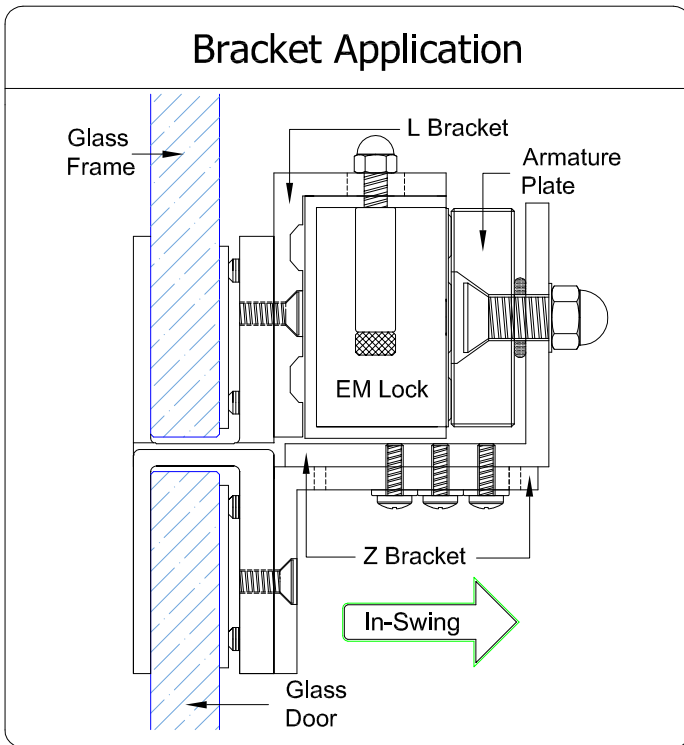
## General Installation Steps

1. Pre-Align the location of the EM Lock to be fixed on the glass frame.
2. Install the DSU-600L on the Glass Door Frame.
  - Put in the AL-Plate and U-rubber in between the glass frame
  - Slight tightening the set screw M4.
  - \*\* Do not over tighten the set screw M4 until the U shape distorted.
3. Install the EM Lock onto DSU-600L using Allen key.
4. Pre-align the location of the Armature Plate to be fixed on glass door.
5. Install the DSU-600Z on the Glass Door.
  - Put in the AL-Plate and U-rubber in between the glass door.
  - Slight tightening the set screw M4.
  - \*\* Do not over tighten the set screw M4 until the U shape distorted.
6. Install in the Armature Plate by tightening screw M8x16 on the square nut.
  - \* Note: Must put in rubber washer for armature plate flexibility.
7. Slot in the DSU-Bottom AL Cover into the DSU-600Z.
8. Install the DSU-Side ABS Cover on Left & Right of the DSU-600Z.

## Trouble Shooting

1. Sensor not functioning
  - Improper attachment of electromagnet and armature plate
  - Modification of the PCB
2. Door not locked
  - Incorrect wiring or no power from power supply
3. Reduced holding force
  - Poor contact of electromagnet and armature.
  - Be sure armature is loose enough that it can fully contact electromagnet along the entire length.
  - Mating surface is dusty or damaged.
  - Improper input voltage or wire size.

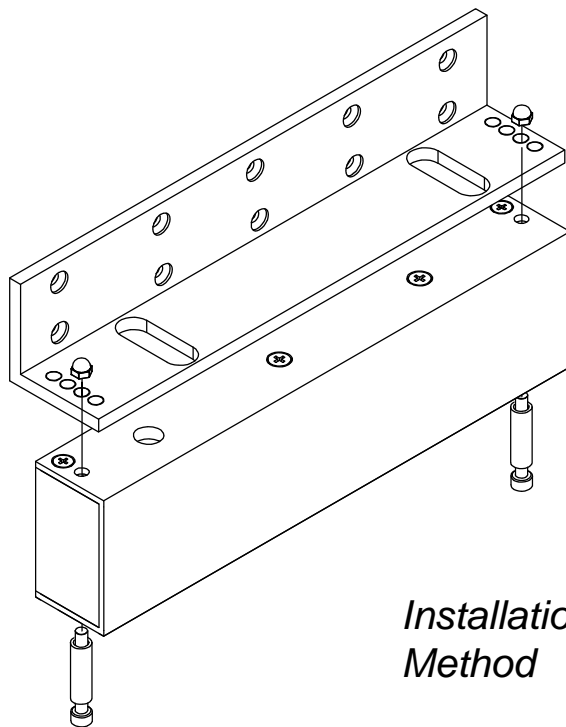
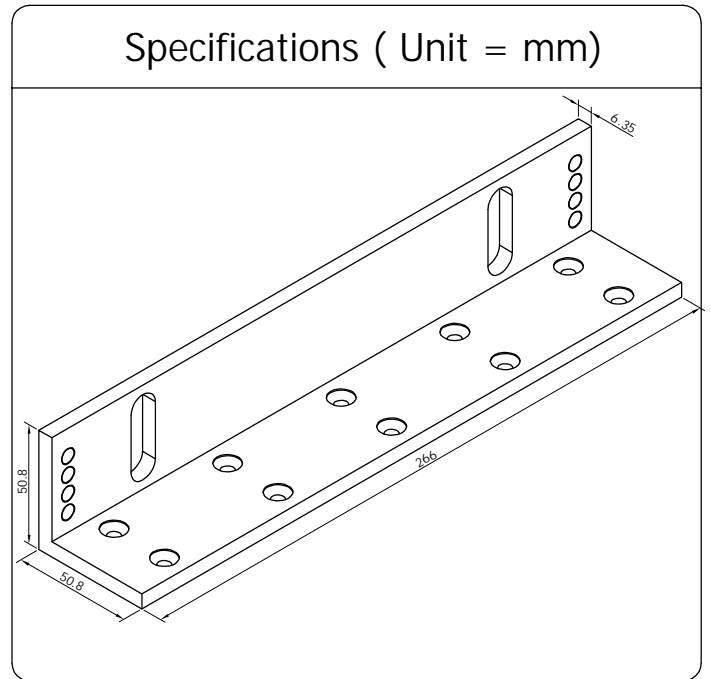
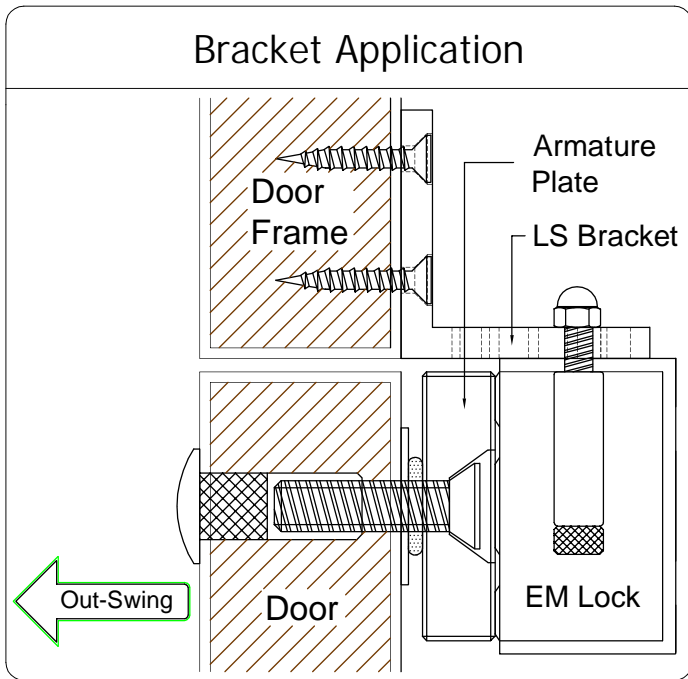
## EM600 - DSU Bracket ( Glass Frame & Door Application )



**SECURITY . QUALITY . RELIABILITY**

# EM1200 - LS Bracket

( Out - Swing Door Application )

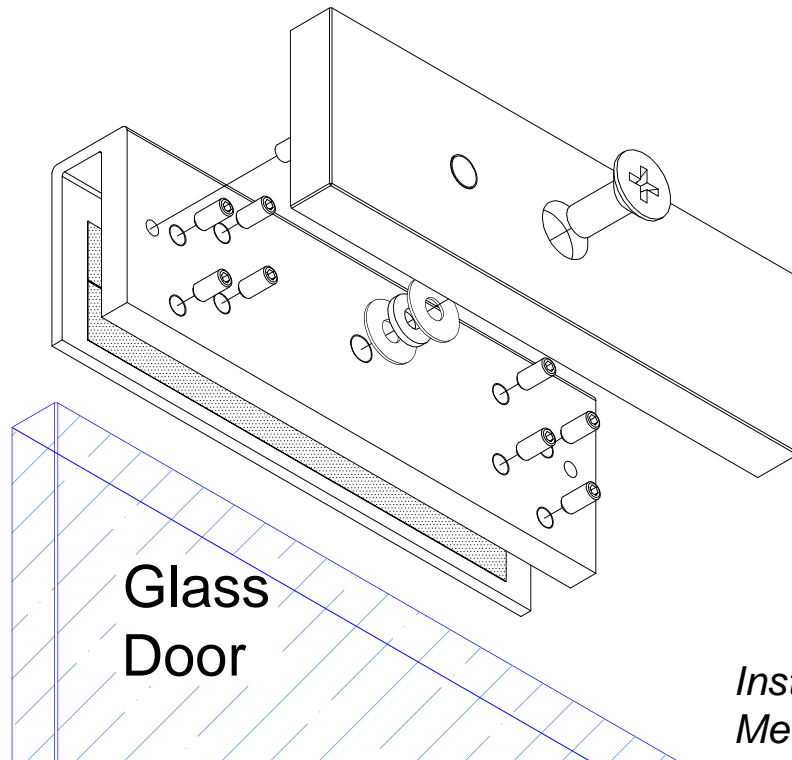
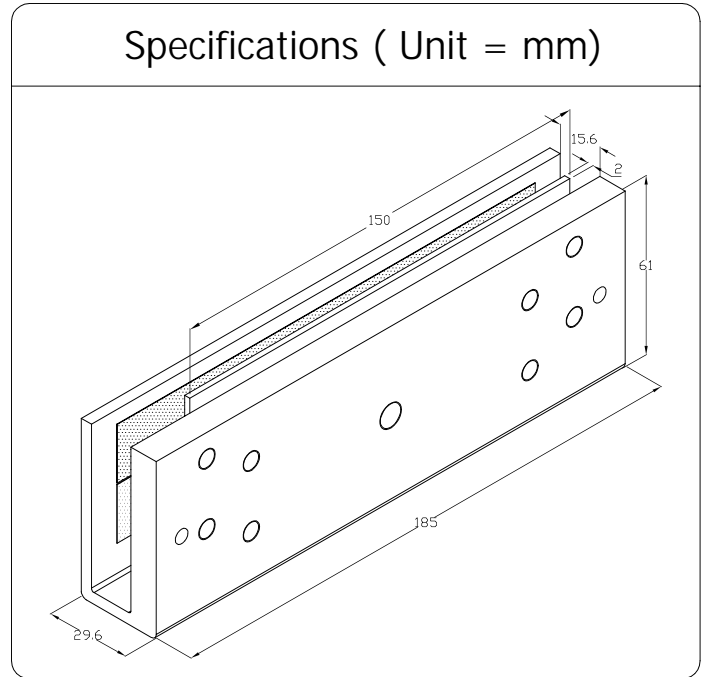
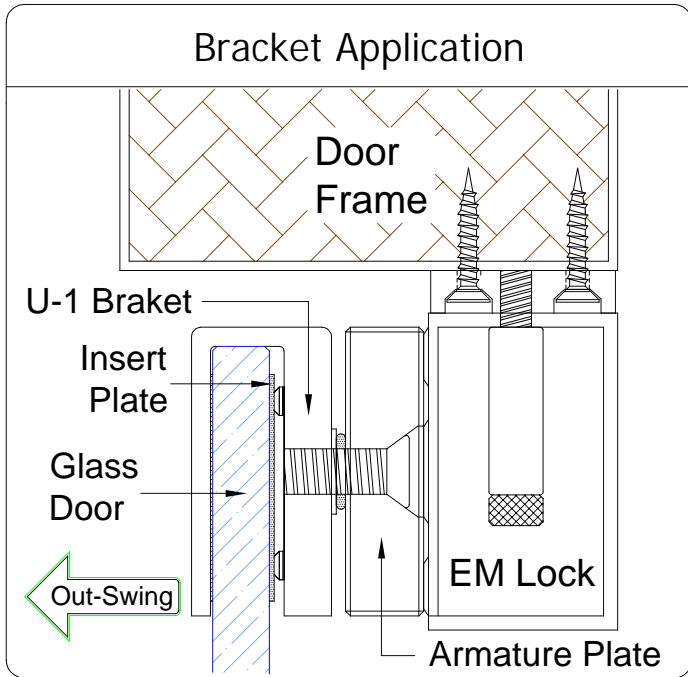


Security . Quality . Reliability



# EM1200 - U1 Bracket

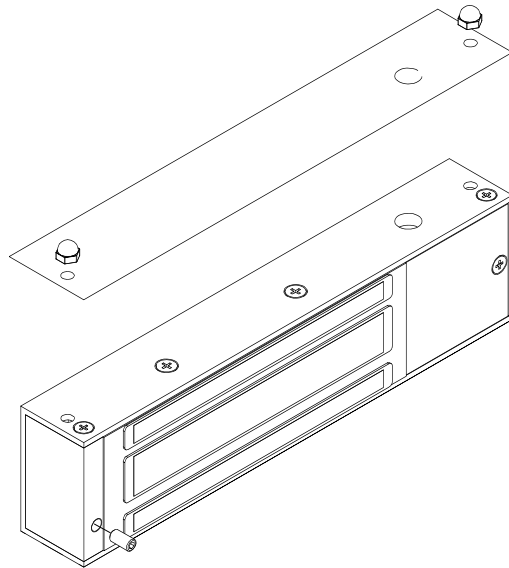
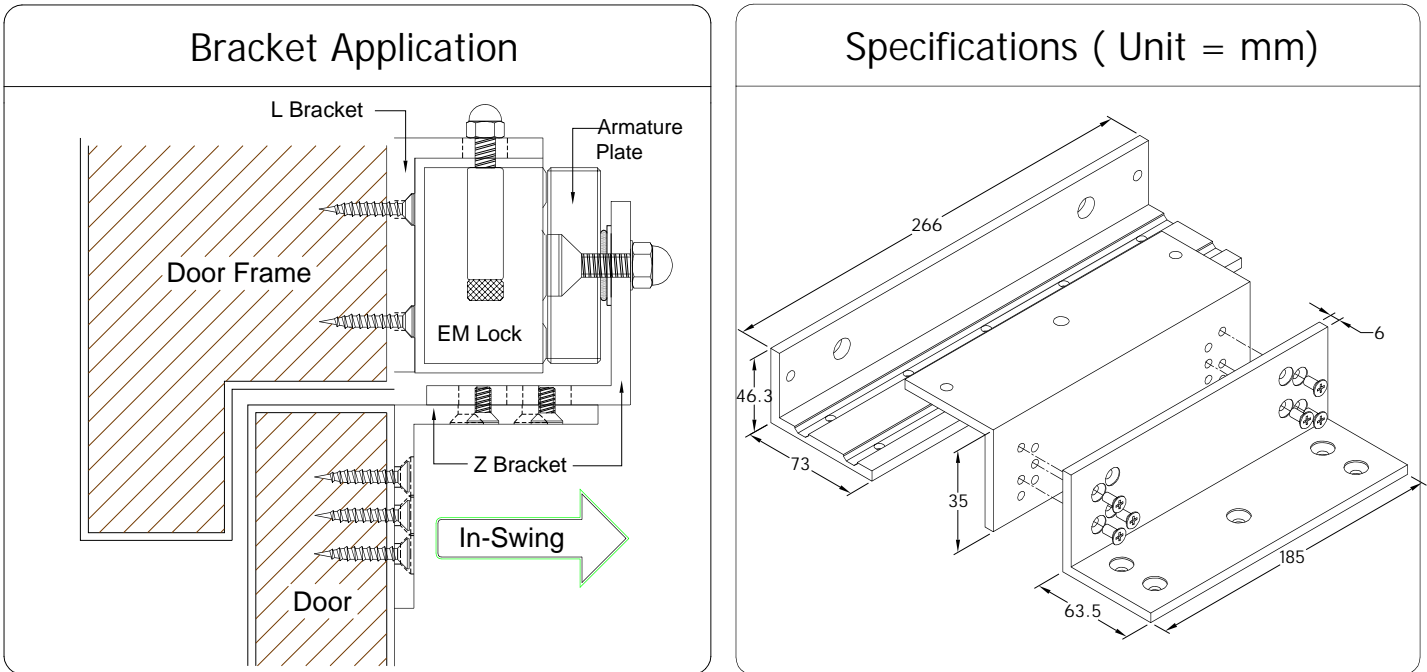
( Glass Door Application )



**Security . Quality . Reliability**

# EM1200 - ZL Bracket

( In - Swing Door Application )



*Installation  
Method*

**Security . Quality . Reliability**