

# EMERGENCY DOOR RELEASE

Model: E-108 DPDT



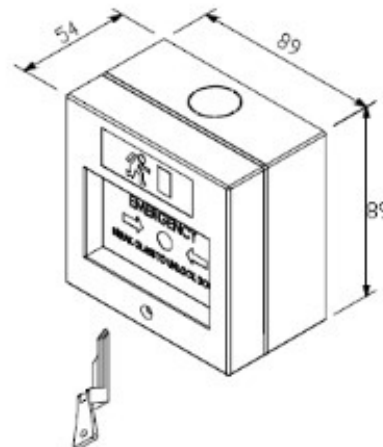
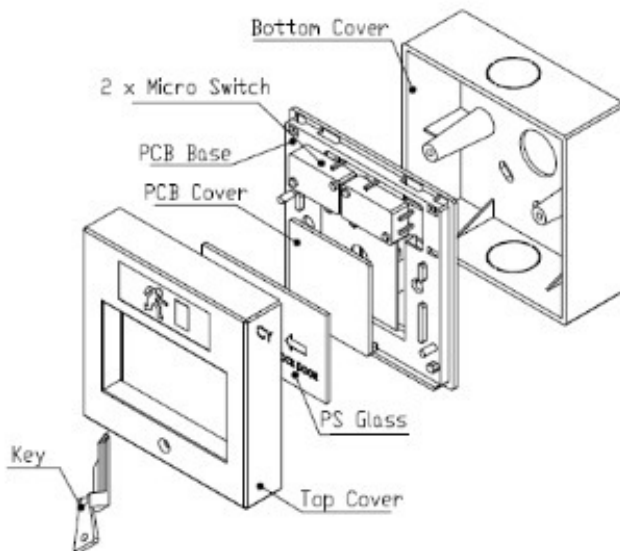
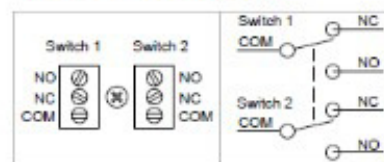
## Benefits :

- The micro switch used ensures absolute flawless function of the circuitry.
- E-108 DPDT come with 2 Single Pole Double Throw micro switches for independent input and output monitoring.
- PS Glass is used for its durability & reliability feature.
- A test key is provided for instant test operation.

## Specification :

Size	89 x 89 x 54 mm
Current Rating	12/24 VDC; 10A 48 VDC; 3A
Net Weight	145 gm
Colour Available	Deep Green, White, Red & Yellow
Connections	Terminal - Max 2.0 mm <sup>2</sup> Cable

## DPDT Diagram



## Description :

The Ebleco Emergency Door Release E-108 DPDT is specially designed for the use in fire detection with the central control monitoring systems. Its can be used for open or closed circuit. When the PS Glass is pressed hard or break, the circuit will close or open instantly vice versa.

The model is moulded with the highest engineering precision. The ABS material used is noted to be high resistance to heat and with good impact strength.

To ensure long lasting resistance to corrosion, the metal parts are made of brass and phosphor bronze.