

Resettable Call Points with Back-lit Led , Buzzer & Door Monitoring Alarm

Safe, Visible, Easy to Install

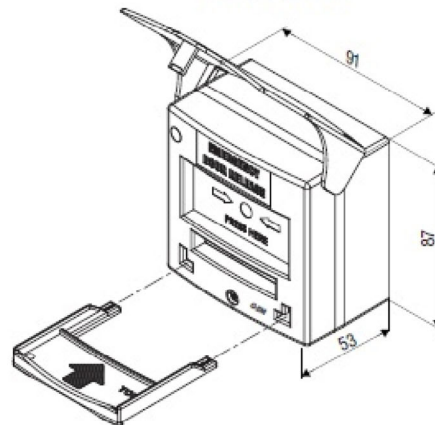
Flashing Backlit Dual Colour LED make Call-Point Very Visible from Long Distance



Main Features

- Sekurit's Sek-Mcp-10- Led – Buzzer Series
- With inbuilt Led (Blue and Red), Flasher & Buzzer on Door Release
- Delayed Door Ajar Alarm
- Adjustable Timer Setting From 00-90 seconds
- Provision to Connect External Loud Siren

Dimensions



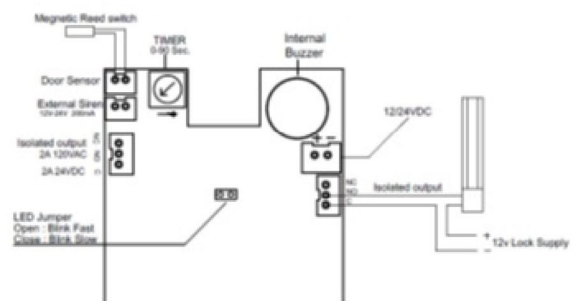
Call Points

Model no. SEK-MCP-10-LED-BUZZ-DMS-DPDT

Display Window Showing Lock – Unlock Status

Resettable Call Point features a resettable operating element that produces no dangerous glass shards, making it suitable for use in high traffic areas, such as schools, shopping malls, or commercial buildings.

Wiring Diagram



Standard Features & Specifications

- Operating Auto- Voltage 12-24 Vdc
- Dimensions 87 * 91 * 53 mm
- Rating Upto to 5A 125/250 VAC
- Double Pole) Switch 1 (NC/com/NO) , Switch 2 1A at 30VDC

StandBy Condition



Alarm Condition



Red , Green and White Colour

* Pics shown above might change little from actual Product

SekurityXchange